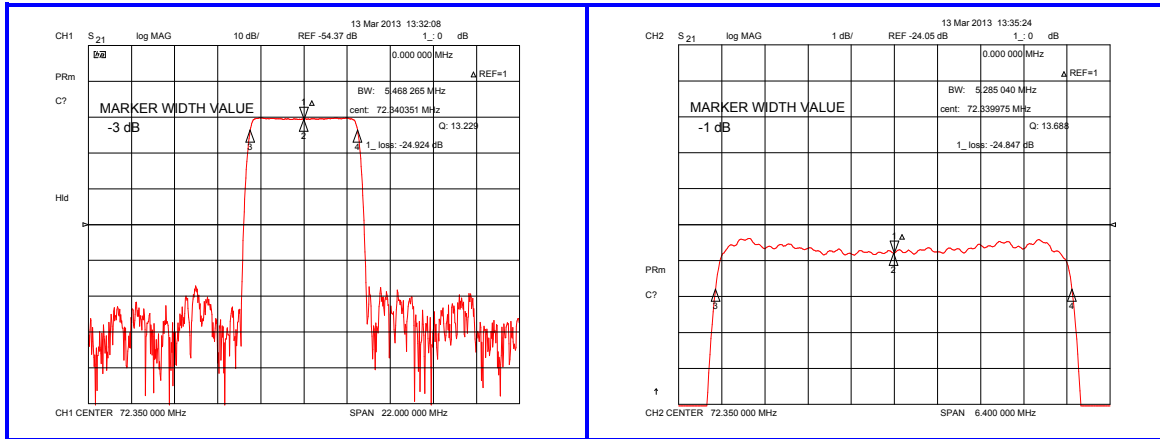


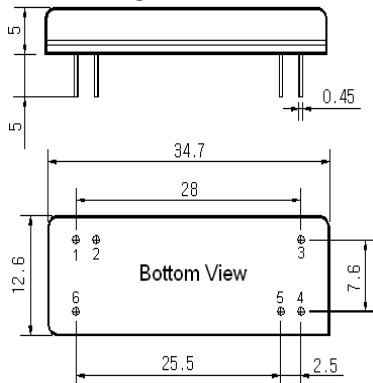
Typical Performance



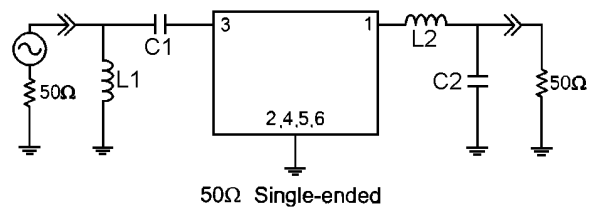
Specification

| Parameter | Unit | Min. | Typ. | Max. |
|-------------------------|--------|------------------------|-------|-------|
| Center Frequency | MHz | 72.27 | 72.35 | 72.43 |
| Insertion Loss | dB | - | 25.00 | 27.00 |
| 1dB Bandwidth | MHz | 5.10 | 5.28 | - |
| 3dB Bandwidth | MHz | - | 5.48 | - |
| 40dB Bandwidth | MHz | - | 6.30 | 6.45 |
| Attenuation | dB | 43 | 48 | - |
| Amplitude Ripple | nsec | - | 0.50 | 1.00 |
| Absolute Delay | µsec | - | 3.40 | - |
| Group Delay Variation | dB | - | 100 | 200 |
| Substrate Material | - | 112-LiTaO ₃ | | |
| Temperature Coefficient | ppm/°C | -20 | | |
| Package | mm | 35*12mm(DIP) | | |

Package Dimension



Matching Configuration



L1=39nH, L2=47nH, C1=300pF, C2=160pF
 Source / Load Impedance = 50Ω
 Ambient Temperature = 25°C

Rev0. 130314

