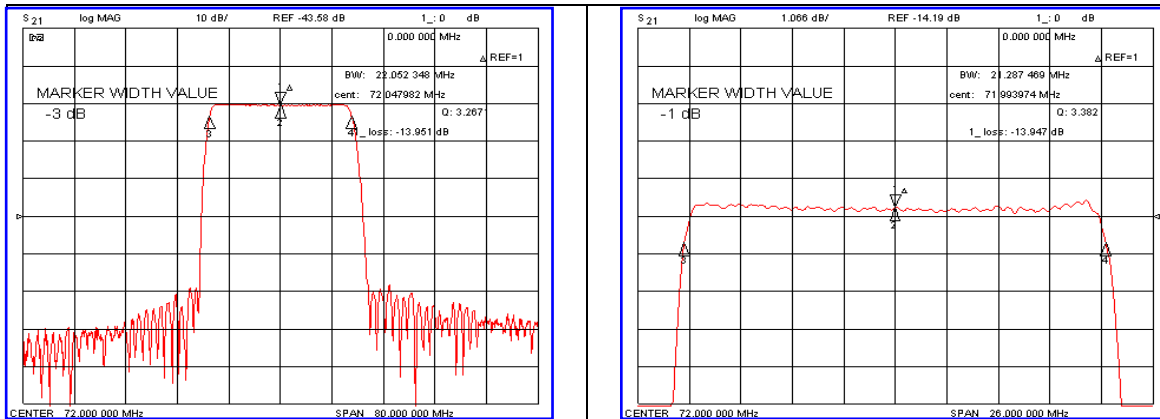


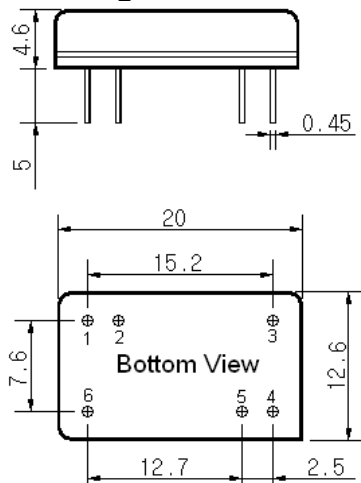
### Typical Performance



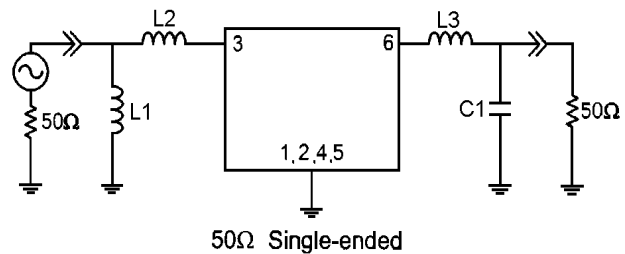
### Specification

Parameter	Unit	Min.	Typ.	Max.
Center Frequency	MHz	71.85	72.00	72.15
Insertion Loss	dB	-	14.00	16.00
1dB Bandwidth	MHz	-	21.28	-
3dB Bandwidth	MHz	21.80	22.05	-
40dB Bandwidth	MHz	-	25.80	26.50
Passband Ripple	dB	-	0.40	1.00
Group Delay Variation	nsec	-	40	80
Absolute Delay	μsec	-	0.89	-
Ultimate Attenuation	dB	40	47	-
Substrate Material	-	YZ- LiNbO <sub>3</sub>		
Temperature Coefficient	ppm/°C	-94		

### Package Dimension



### Matching Configuration



L1=68nH, L2=5.6nH, L3=150nH, C1=43pF  
 Source / Load Impedance = 50Ω  
 Ambient Temperature = 25°C

Rev0. 091123

