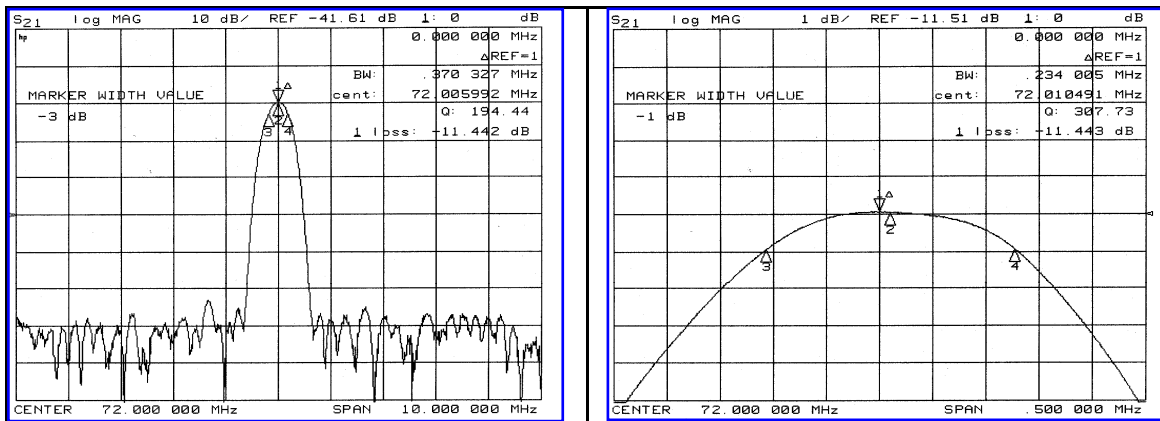


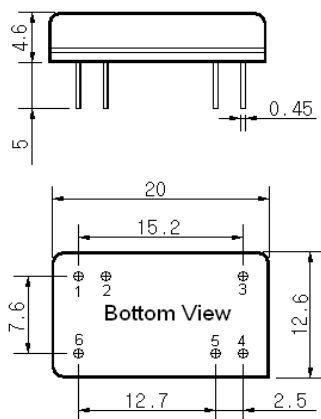
Typical Performance



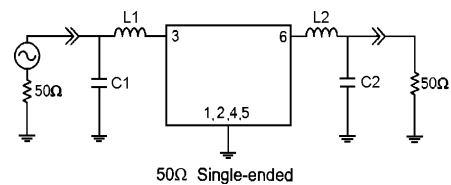
Specification

Parameter	Unit	Min.	Typ.	Max.
Center Frequency	MHz	71.94	72.00	72.06
Insertion Loss	dB	-	12.00	14.00
1dB Bandwidth	MHz	-	0.23	-
3dB Bandwidth	MHz	0.30	0.37	-
40dB Bandwidth	MHz	-	1.09	1.30
Passband Ripple	dB	-	0.45	1.00
Group Delay Variation	nsec	-	200	300
Absolute Delay	μsec	-	2.43	-
Ultimate Attenuation	dB	50	55	-
Substrate Material	-	Quartz		
Temperature Coefficient	ppm/°C ²	-0.03		

Package Dimension



Matching Configuration



L1=L2=270nH, C1=56pF, C2=51pF
 Source / Load Impedance = 50Ω
 Ambient Temperature = 25°C

01/25/2006

