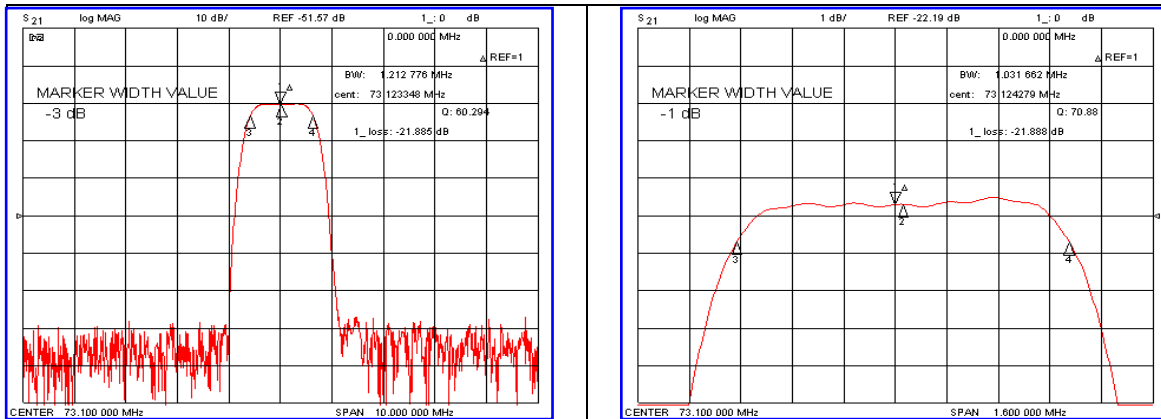


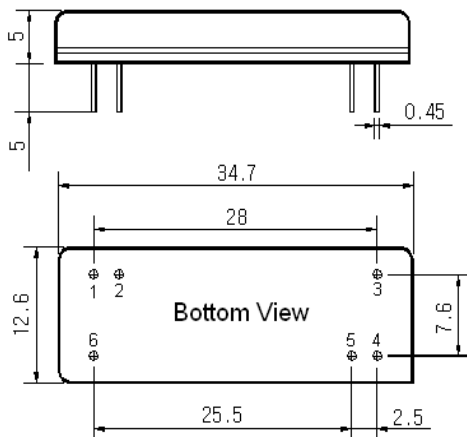
## Typical Performance



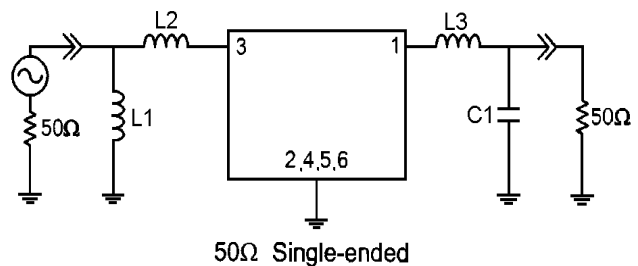
## Specification

Parameter	Unit	Min.	Typ.	Max.
Center Frequency	MHz	73.02	73.10	73.18
Insertion Loss	dB	-	22.00	24.00
1dB Bandwidth	MHz	0.96	1.03	-
3dB Bandwidth	MHz	-	1.21	-
25dB Bandwidth	MHz	-	1.77	1.82
40dB Bandwidth	MHz	-	1.94	2.00
Passband Ripple	dB	-	0.40	1.00
Group Delay Variation	nsec	-	150	250
Absolute Delay	usec	-	3.50	-
Ultimate Attenuation	dB	50	55	-
Substrate Material	-	Quartz		
Temperature Coefficient	ppm/°C	-0.03		

## Package Dimension



## Matching Configuration



L1=180nH, L2=27nH, L3=150nH C1=120pF  
 Source / Load Impedance = 50Ω  
 Ambient Temperature = 25°C

Rev.0 091117

