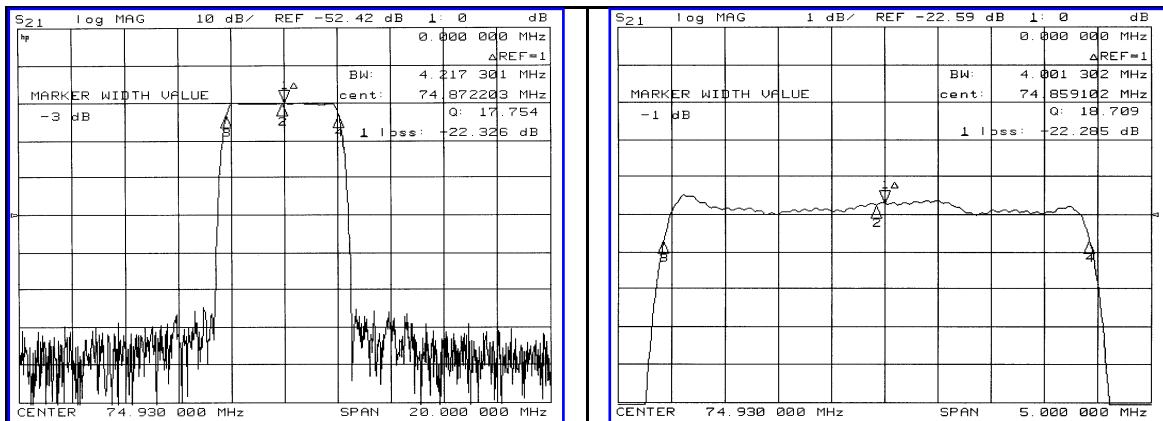


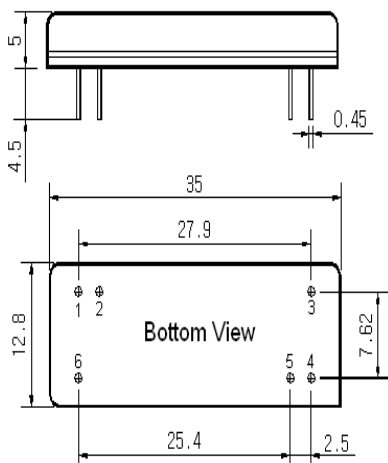
### Typical Performance



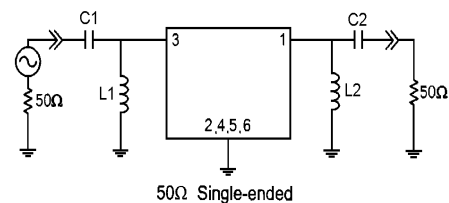
### Specification

Parameter	Unit	Min.	Typ.	Max.
Center Frequency (Fc)	MHz	-	74.93	-
Insertion Loss	dB	-	23.00	24.50
1dB Bandwidth	MHz	-	4.00	-
3dB Bandwidth	MHz	-	4.21	-
40dB Bandwidth	MHz	-	5.02	5.10
Passband Ripple (Fc±1.845MHz)	dB	-	0.55	1.50
Group Delay Variation	nsec	-	85	150
Absolute Delay	µsec	-	4.83	-
Ultimate Attenuation	dB	50	53	-
Substrate Material	-	LiTaO <sub>3</sub>		
Temperature Coefficient	ppm/°C	-20		

### Package Dimension



### Matching Configuration



L1=56nH, L2=68nH, C1=82pF, C2=51pF  
 Source / Load Impedance = 50Ω  
 Ambient Temperature = 25°C

04/06/2006

