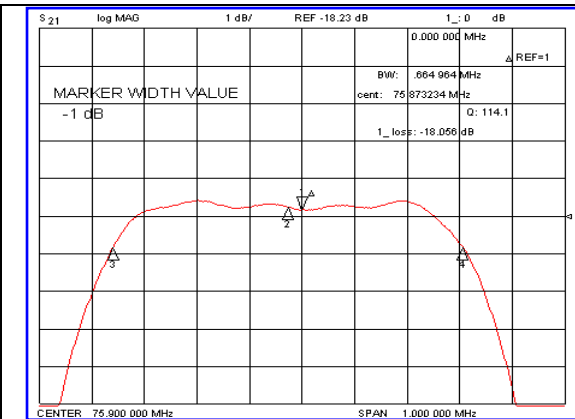
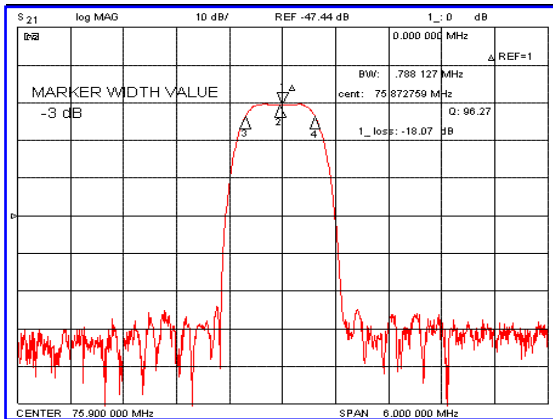


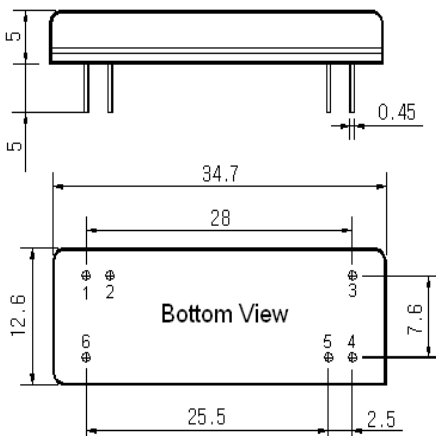
Typical Performance



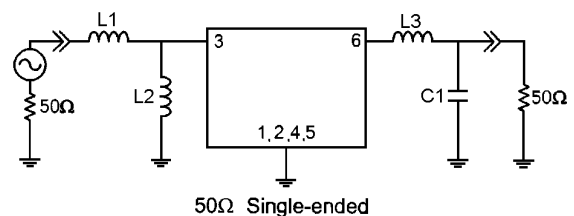
Specification

Parameter	Unit	Min.	Typ.	Max.
Center Frequency	MHz	75.82	75.90	75.98
Insertion Loss	dB	-	18.20	22.00
1dB Bandwidth	MHz	-	0.66	-
3dB Bandwidth	MHz	0.70	0.78	-
20dB Bandwidth	MHz	-	1.14	2.00
40dB Bandwidth	MHz	-	1.30	-
Passband Ripple	dB	-	0.35	1.00
Group Delay Variation	nsec	-	250	350
Absolute Delay	μsec	-	3.78	-
Ultimate Attenuation	dB	50	53	-
Substrate Material	-	Quartz		
Temperature Coefficient	ppm/°C	-0.03		

Package Dimension



Matching Configuration



L1=82nH, L2=150nH, L3=100nH, C1=68pF
 Source / Load Impedance = 50Ω
 Ambient Temperature = 25°C

Rev0. 071130

