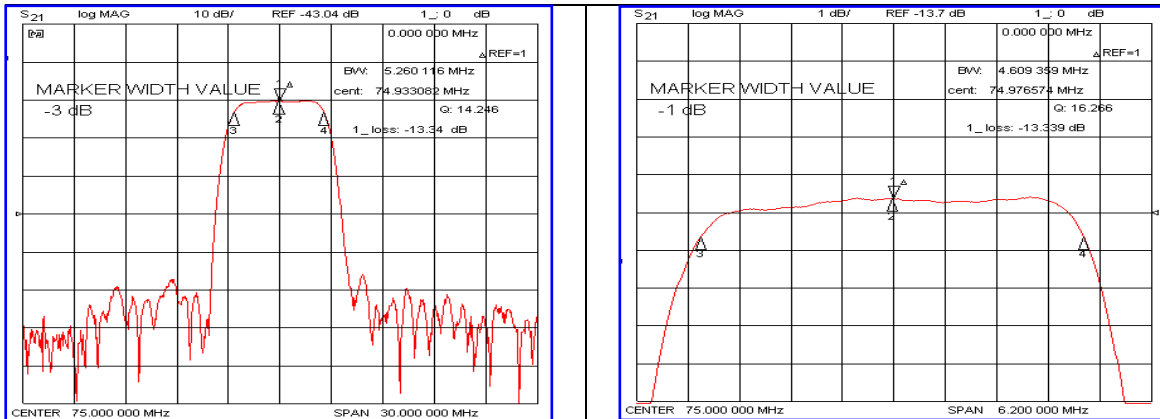


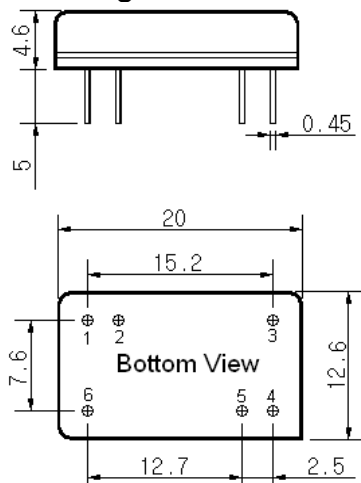
Typical Performance



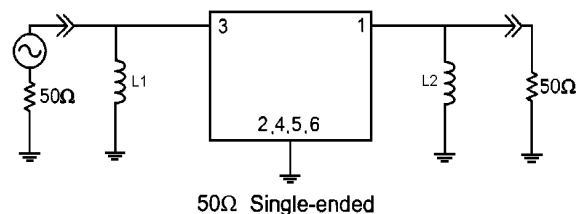
Specification

Parameter	Unit	Min.	Typ.	Max.
Center Frequency	MHz	74.90	75.00	75.10
Insertion Loss	dB	-	13.50	15.00
1dB Bandwidth	MHz	-	4.60	-
3dB Bandwidth	MHz	5.00	5.26	-
40dB Bandwidth	MHz	-	7.70	7.90
Passband Ripple	dB	-	0.50	1.00
Group Delay Variation	nsec	-	50	100
Absolute Delay	µsec	-	1.19	-
Ultimate Attenuation	dB	40	45	-
Substrate Material	-	112 - LiTaO ₃		
Temperature Coefficient	ppm/°C	-20		

Package Dimension



Matching Configuration



L1=47nH, L2=56nH
 Source / Load Impedance = 50Ω
 Ambient Temperature = 25°C

Rev1. 100615

