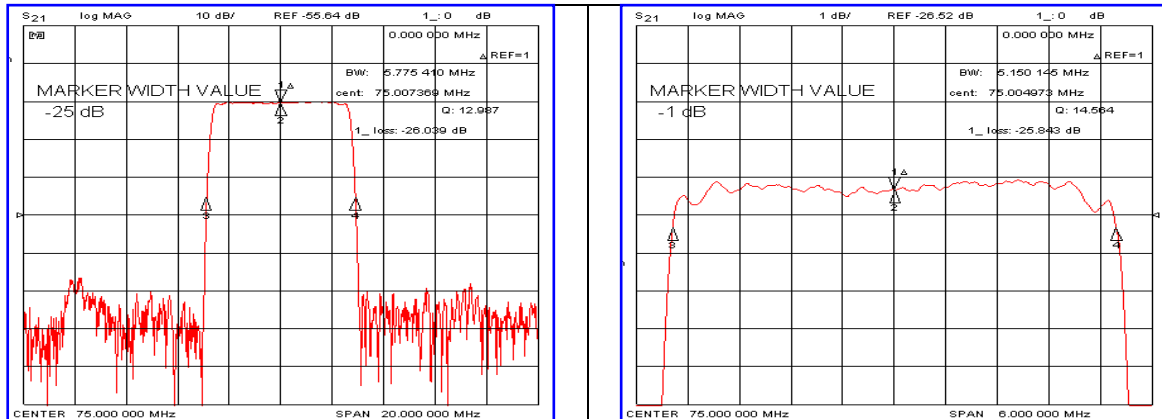


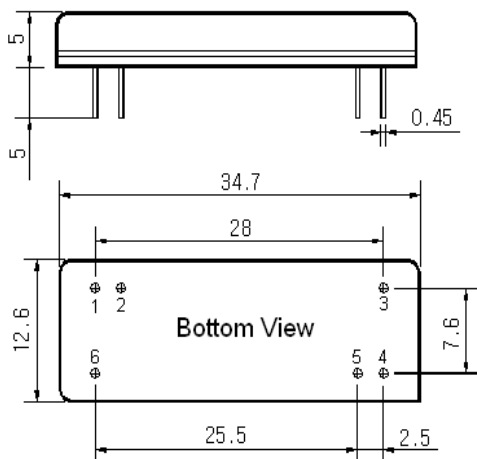
Typical Performance



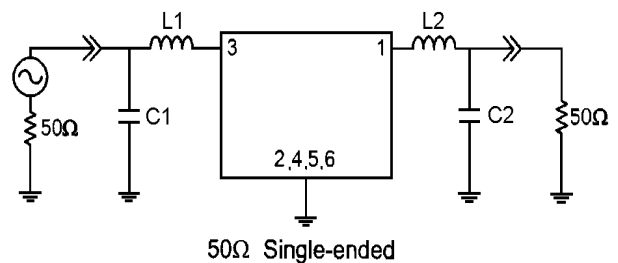
Specification

Parameter	Unit	Min.	Typ.	Max.
Center Frequency	MHz	74.90	75.00	75.10
Insertion Loss	dB	-	26.03	28.00
1dB Bandwidth	MHz	5.00	5.15	-
25dB Bandwidth	MHz	-	5.77	5.85
40dB Bandwidth	MHz	-	5.92	-
Passband Ripple ($\Delta F_c \pm 2.5\text{MHz}$)	dB	-	0.85	1.50
Group Delay Variation ($\Delta F_c \pm 2.5\text{MHz}$)	nsec	-	280	350
Absolute Delay	usec	-	4.14	-
Ultimate Attenuation	dB	-	45	-
Substrate Material	-	112-LiTaO ₃		
Temperature Coefficient	ppm/ $^{\circ}\text{C}$	-20		

Package Dimension



Matching Configuration



L1=47nH, L2=47nH, C1=120pF, C2=82pF
 Source / Load Impedance = 50Ω
 Ambient Temperature = 25°C

Rev.0 100715

