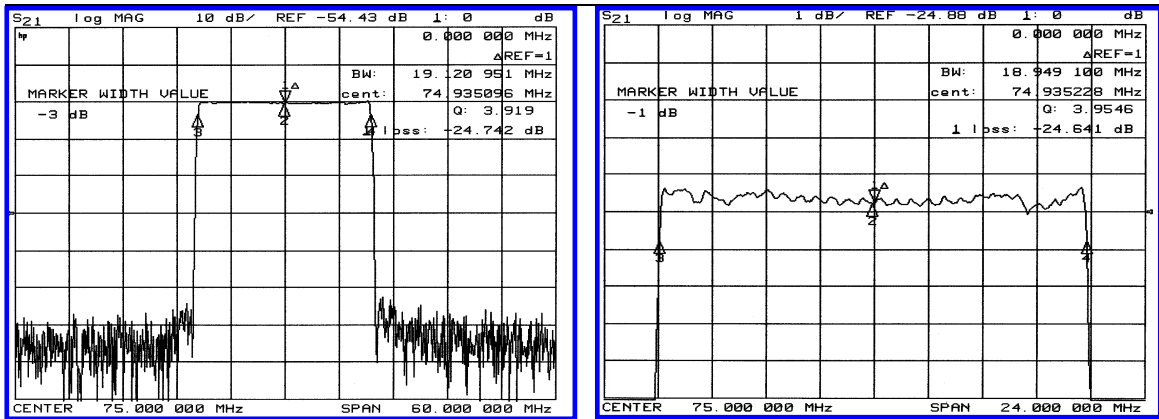


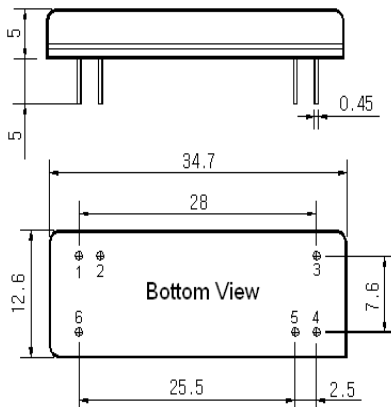
### Typical Performance



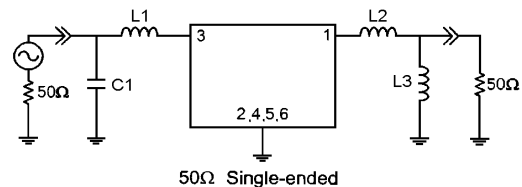
### Specification

Parameter	Unit	Min.	Typ.	Max.
Center Frequency	Mhz	74.92	75.00	75.08
Insertion Loss	dB	-	24.50	26.00
1dB Bandwidth	Mhz	18.85	18.95	-
3dB Bandwidth	Mhz	19.00	19.12	-
40dB Bandwidth	Mhz	-	20.00	20.15
50dB Bandwidth	Mhz	-	20.08	-
Passband Ripple	dB	-	0.75	1.00
Group Delay Variation	nsec	-	50	100
Absolute Delay	μsec	-	3.2	-
Ultimate Attenuation	dB	50	55	-
Substrate Material	-	128-LiNbO <sub>3</sub>		
Temperature Coefficient	ppm/°C <sup>2</sup>	-72		

### Package Dimension



### Matching Configuration



L1=0.12μH, L2=27nH, L3=0.15μH, C1=3pF  
 Source / Load Impedance = 50Ω  
 Ambient Temperature = 25°C

02/03/2005

