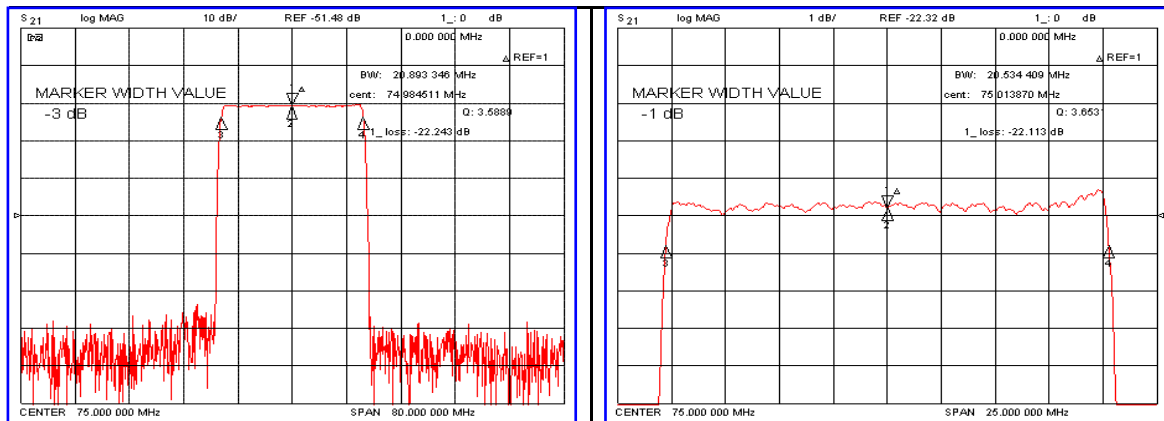


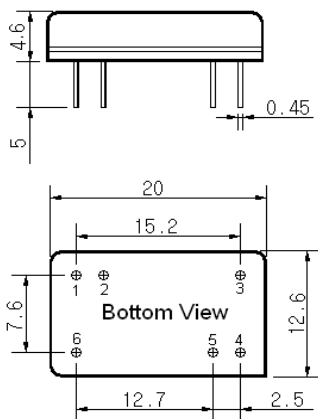
Typical Performance



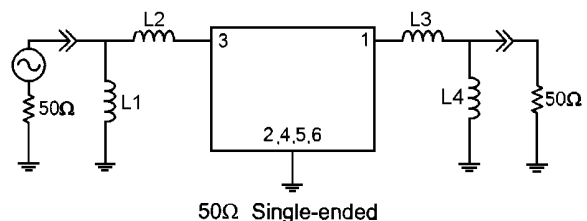
Specification

Parameter	Unit	Min.	Typ.	Max.
Center Frequency (Fc)	MHz	74.92	75.00	75.08
Insertion Loss	dB	-	22.30	25.00
1dB Bandwidth	MHz	-	20.53	-
3dB Bandwidth	MHz	20.70	20.89	-
45dB Bandwidth	MHz	-	22.52	22.70
Passband Ripple	dB	-	0.55	1.00
Group Delay Variation	nsec	-	40	80
Absolute Delay	μsec	-	2.10	-
Ultimate Attenuation	dB	50	55	-
Substrate Material	-	128-LiNbO ₃		
Temperature Coefficient	ppm/°C	-72		

Package Dimension



Matching Configuration



L1=L4=390nH, L2=L3=120nH,
 Source / Load Impedance = 50Ω
 Ambient Temperature = 25°C

09/25/2006

