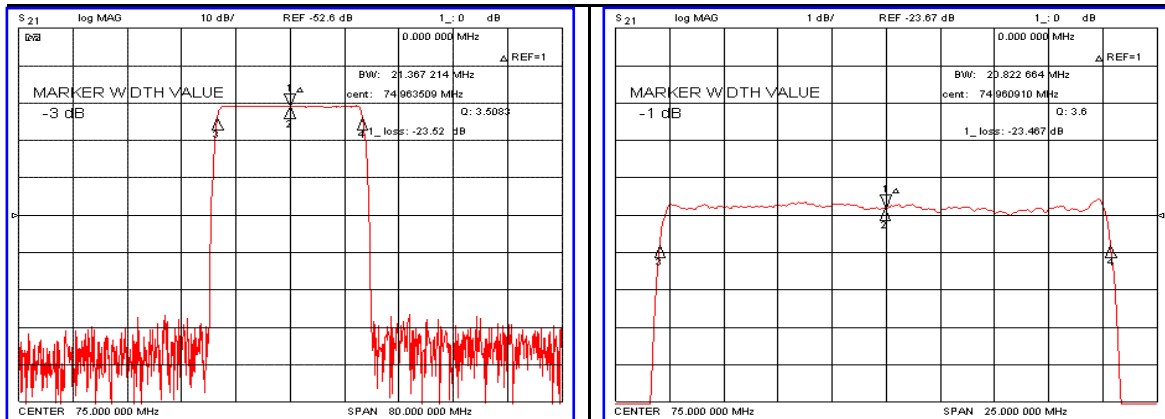


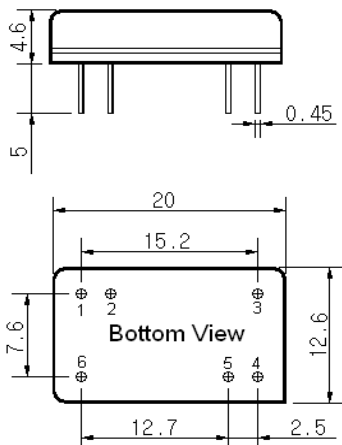
Typical Performance



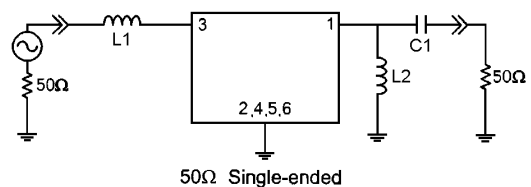
Specification

Parameter	Unit	Min.	Typ.	Max.
Center Frequency (Fc)	MHz	-	75.00	-
Insertion Loss	dB	-	23.50	25.00
1dB Bandwidth	MHz	-	20.82	-
3dB Bandwidth	MHz	21.00	21.37	-
40dB Bandwidth	MHz	-	23.56	23.80
Passband Ripple (Fc±9.75MHz)	dB	-	0.55	1.00
Group Delay Variation (Fc±9.75MHz)	nsec	-	25	50
Absolute Delay	µsec	-	1.51	-
Ultimate Attenuation	dB	50	55	-
Substrate Material	-	128-LiNbO ₃		
Temperature Coefficient	ppm/°C	-72		

Package Dimension



Matching Configuration



L1=180nH, L2=120nH, C1=51pF
 Source / Load Impedance = 50Ω
 Ambient Temperature = 25°C

10/11/2006

