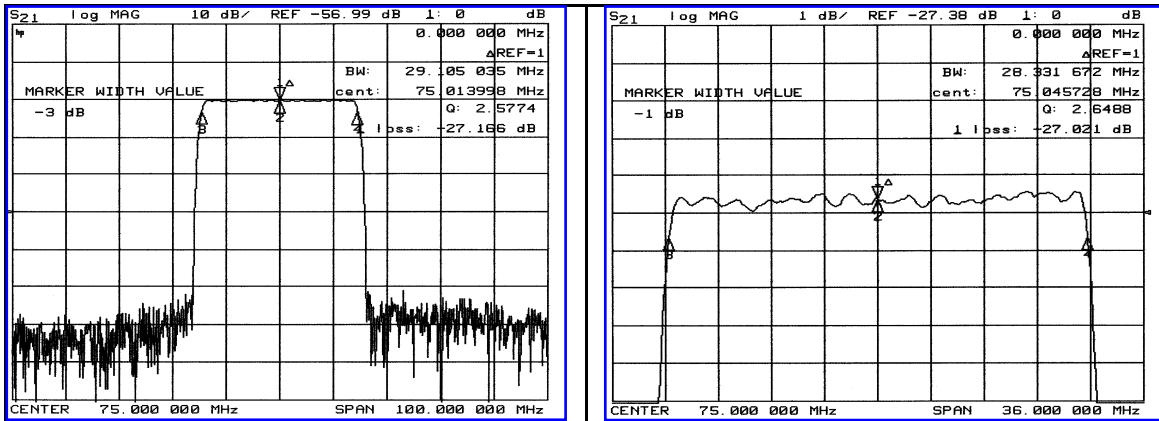


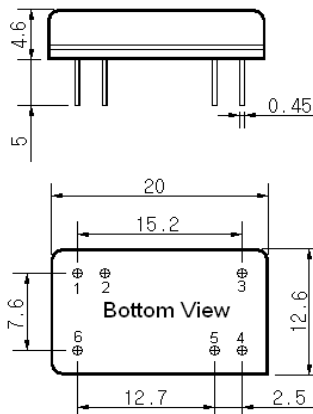
Typical Performance



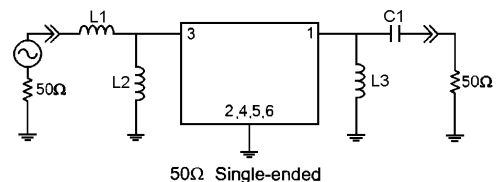
Specification

Parameter	Unit	Min.	Typ.	Max.
Center Frequency	MHz	74.92	75.00	75.08
Insertion Loss	dB	-	27.00	28.00
1dB Bandwidth	MHz	-	28.33	-
3dB Bandwidth	MHz	28.80	29.10	-
40dB Bandwidth	MHz	-	32.03	32.50
Passband Ripple	dB	-	0.55	1.00
Group Delay Variation	nsec	-	20	50
Absolute Delay	μsec	-	1.36	-
Ultimate Attenuation	dB	50	53	-
Operating Temp. Range	°C	-20	+25	+70
Substrate Material	-	128-LiNbO ₃		
Temperature Coefficient	ppm/°C	-72		

Package Dimension



Matching Configuration



L1=150nH, L2=0.82μH, L3=150nH, C1=33pF
Source / Load Impedance = 50Ω
Ambient Temperature = 25°C

06/02/2005

