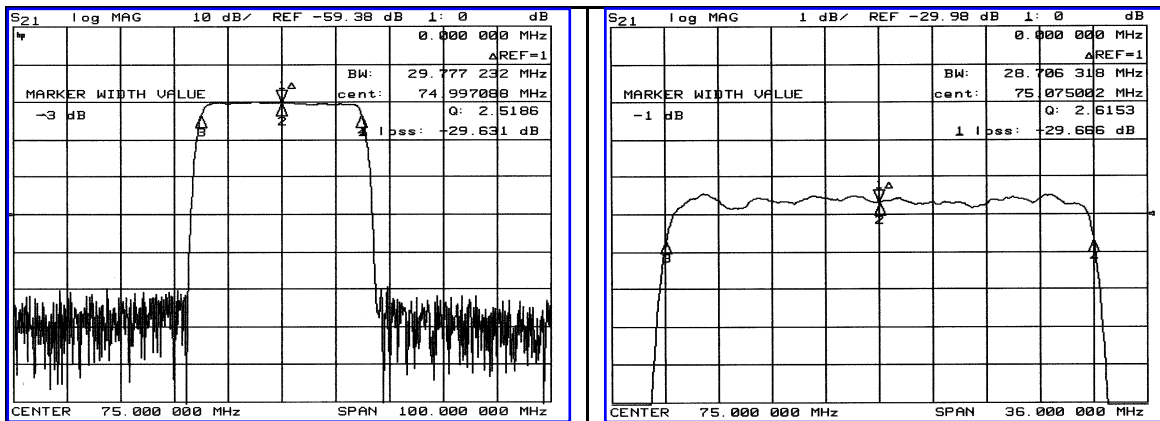


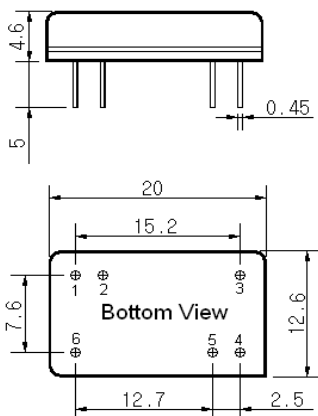
Typical Performance



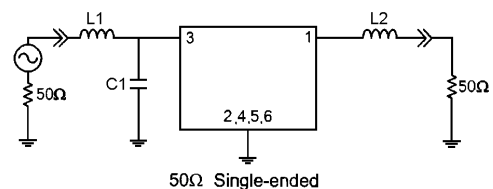
Specification

Parameter	Unit	Min.	Typ.	Max.
Center Frequency	MHz	74.92	75.00	75.08
Insertion Loss	dB	-	29.50	-
1dB Bandwidth	MHz	-	28.70	-
3dB Bandwidth	MHz	-	29.78	-
40dB Bandwidth	MHz	-	34.32	34.80
Passband Ripple	dB	-	0.45	1.00
Group Delay Variation	nsec	-	20	50
Absolute Delay	μsec	-	0.93	-
Ultimate Attenuation	dB	-	50	-
Operating Temp. Range	°C	-20	+25	+70
Substrate Material	-	128-LiNbO ₃		
Temperature Coefficient	ppm/°C	-72		

Package Dimension



Matching Configuration



L1=180nH, L2=180nH, C1=16pF
 Source / Load Impedance = 50Ω
 Ambient Temperature = 25°C

06/14/2005

