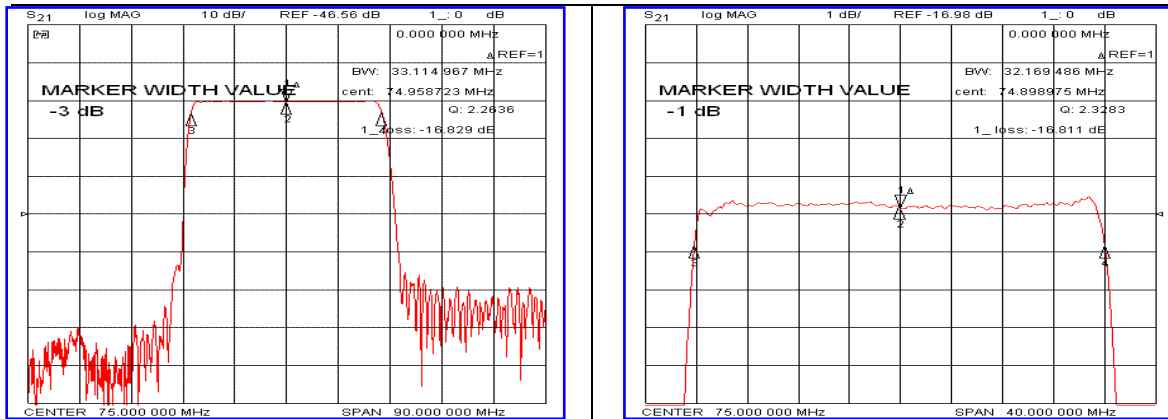


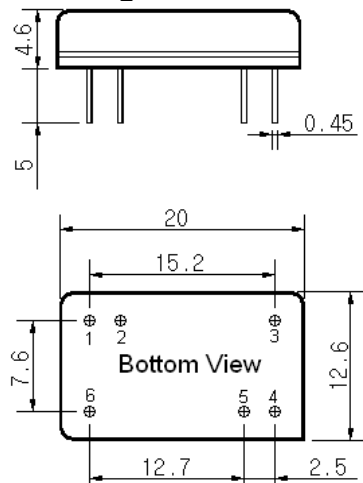
Typical Performance



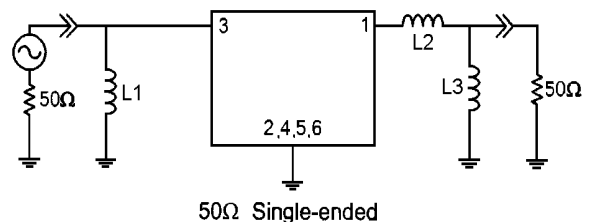
Specification

Parameter	Unit	Min.	Typ.	Max.
Center Frequency	MHz	74.90	75.00	75.10
Insertion Loss	dB	-	16.90	18.50
1dB Bandwidth	MHz	31.90	32.16	-
3dB Bandwidth	MHz	-	33.11	-
40dB Bandwidth	MHz	-	37.75	38.00
Passband Ripple	dB	-	0.40	1.00
Group Delay Variation	nsec	-	30	50
Absolute Delay	µsec	-	0.92	-
Ultimate Attenuation	dB	40	45	-
Substrate Material	-	YZ-LiNbO ₃		
Temperature Coefficient	ppm/°C	-94		

Package Dimension



Matching Configuration



L1=82nH, L2=22nH, L3=120nH
Source / Load Impedance = 50Ω
Ambient Temperature = 25°C

Rev.2 120525

