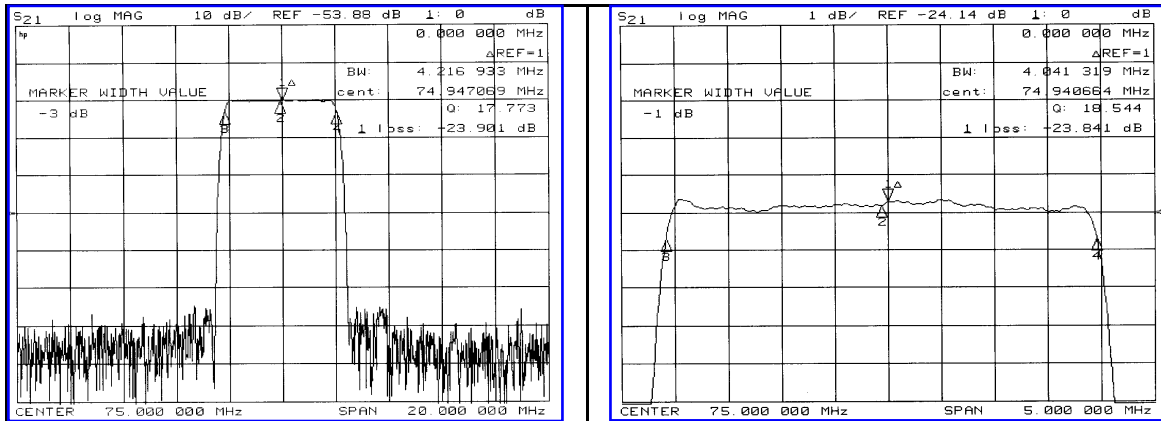


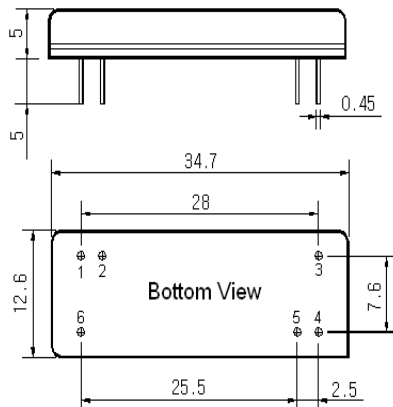
Typical Performance



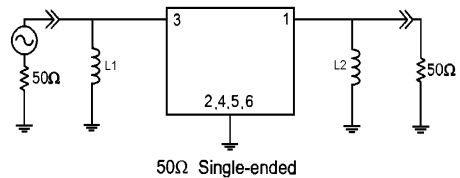
Specification

Parameter	Unit	Min.	Typ.	Max.
Center Frequency	MHz	74.92	75.00	75.08
Insertion Loss	dB	-	24.00	25.00
1dB Bandwidth	MHz	-	4.04	-
3dB Bandwidth	MHz	-	4.21	-
40dB Bandwidth	MHz	-	4.91	-
Passband Ripple	dB	-	0.55	1.00
Group Delay Variation	nsec	-	83	150
Absolute Delay	μsec	-	5.15	-
Ultimate Attenuation	dB	50	53	-
Substrate Material	-	LiTaO ₃		
Temperature Coefficient	ppm/°C	-20		

Package Dimension



Matching Configuration



L1=82nH, L2=82nH
 Source / Load Impedance = 50Ω
 Ambient Temperature = 25°C

05/04/2006

