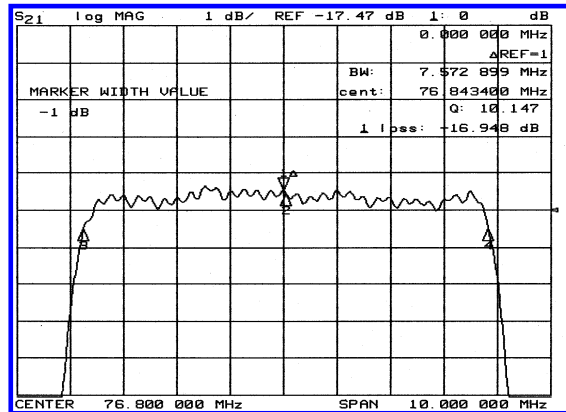
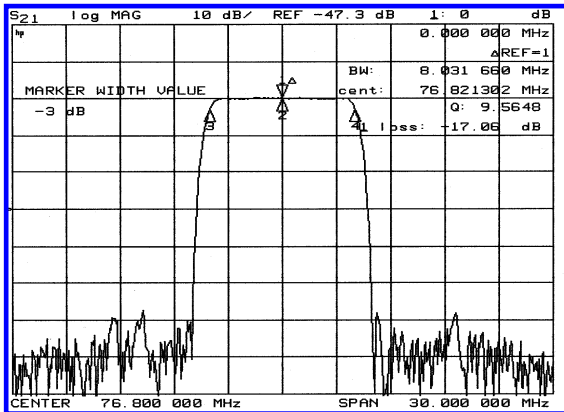


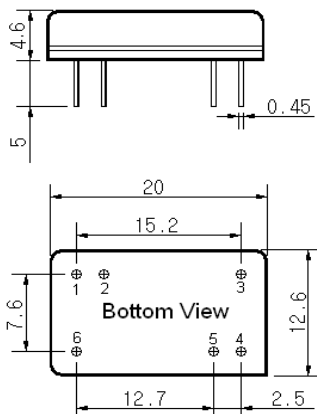
### Typical Performance



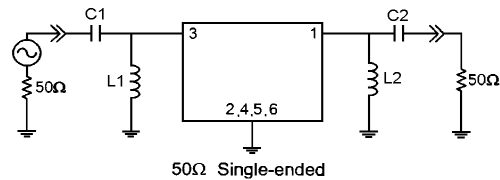
### Specification

Parameter	Unit	Min.	Typ.	Max.
Center Frequency	Mhz	76.75	76.80	76.85
Insertion Loss	dB	-	17.00	19.00
1dB Bandwidth	Mhz	7.40	7.57	-
3dB Bandwidth	Mhz	7.80	8.03	-
40dB Bandwidth	Mhz	-	9.68	9.80
50dB Bandwidth	Mhz	-	9.82	-
Passband Ripple	dB	-	0.65	1.00
Group Delay Variation	nsec	-	100	200
Absolute Delay	μsec	-	2.0	-
Ultimate Attenuation	dB	50	60	-
Substrate Material	-	128-LiNbO <sub>3</sub>		
Temperature Coefficient	ppm/°C	-72		

### Package Dimension



### Matching Configuration



L1=0.15μH, L2=0.12μH, C1=56pF, C2=68pF  
 Source / Load Impedance = 50Ω  
 Ambient Temperature = 25°C

12/15/2004

