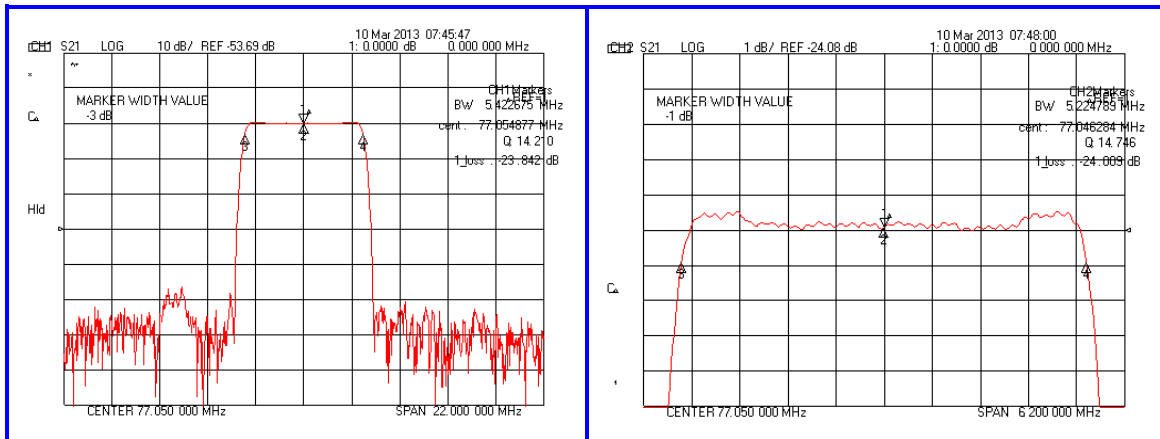


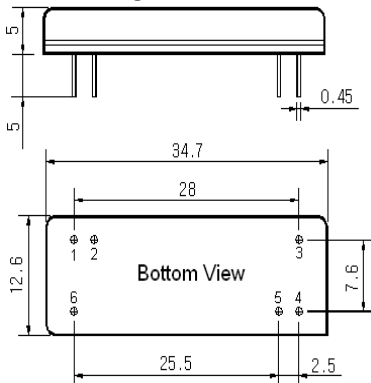
Typical Performance



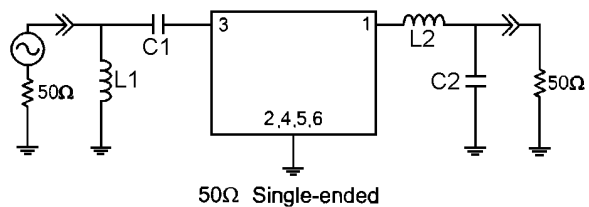
Specification

Parameter	Unit	Min.	Typ.	Max.
Center Frequency	MHz	76.97	77.05	77.13
Insertion Loss	dB	-	24.00	26.00
1dB Bandwidth	MHz	5.10	5.22	-
3dB Bandwidth	MHz	-	5.42	-
40dB Bandwidth	MHz	-	6.30	6.45
Attenuation	dB	43	48	-
Amplitude Ripple	nsec	-	0.55	1.00
Absolute Delay	µsec	-	3.41	-
Group Delay Variation	dB	-	100	200
Substrate Material	-	112-LiTaO ₃		
Temperature Coefficient	ppm/°C	-20		
Package	mm	35*12mm(DIP)		

Package Dimension



Matching Configuration



L1=56nH, L2=39nH, C1=100pF, C2=150pF
 Source / Load Impedance = 50Ω
 Ambient Temperature = 25°C

Rev0. 130314

