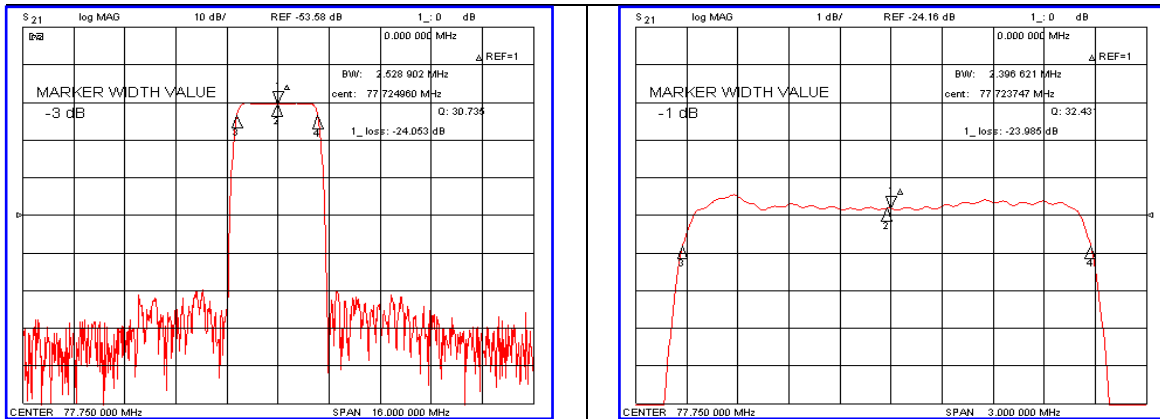


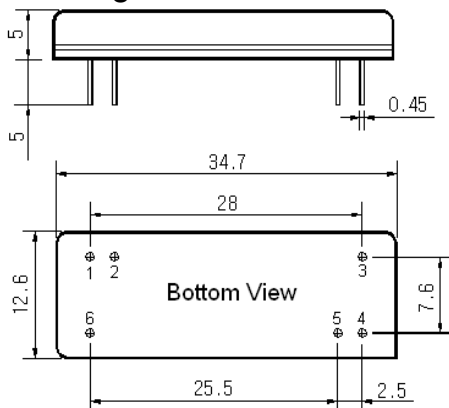
Typical Performance



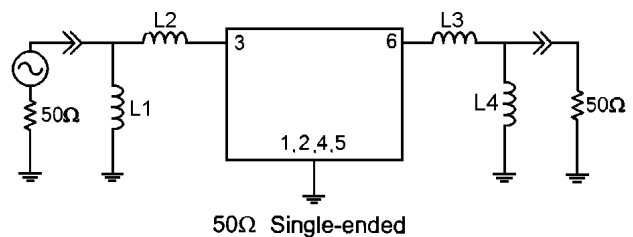
Specification

Parameter	Unit	Min.	Typ.	Max.
Center Frequency	MHz	77.67	77.75	77.83
Insertion Loss	dB	-	24.50	26.00
1dB Bandwidth	MHz	-	2.39	-
3dB Bandwidth	MHz	2.44	2.52	-
45dB Bandwidth	MHz	-	3.10	3.20
Return Loss 1dB Bandwidth	dB	-	10	-
Passband Ripple	dB	-	0.55	1.00
Group Delay Variation Fc±1.2MHz Peak to Peak	nsec	-	150	240
Absolute Delay	usec	-	4.46	-
Ultimate Attenuation	dB	45	50	-
Substrate Material	-	Quartz		
Temperature Coefficient	ppm/°C	-0.03		

Package Dimension



Matching Configuration



L1=39nH, L2=82nH, L3=100nH, L4=47nH
 Source / Load Impedance = 50Ω
 Ambient Temperature = 25°C

Rev.0 090713

