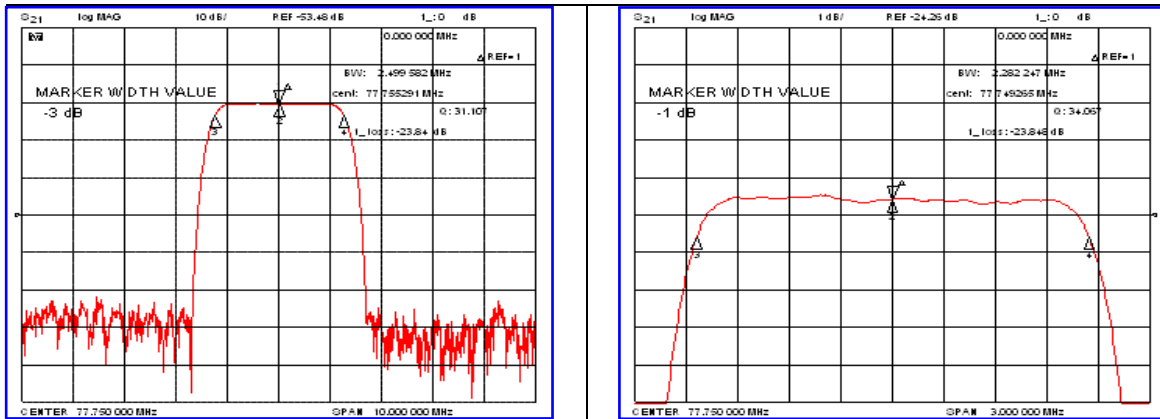


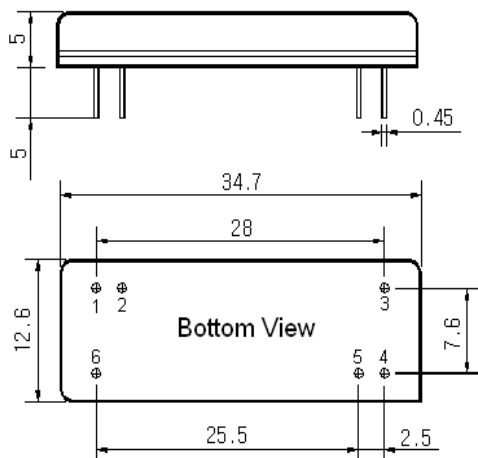
## Typical Performance



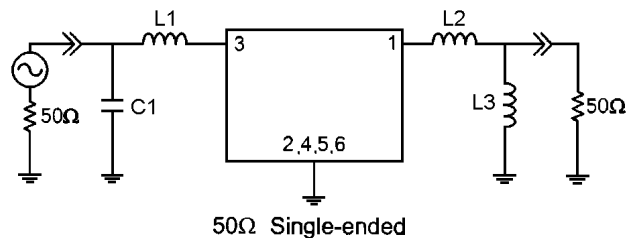
## Specification

Parameter	Unit	Min.	Typ.	Max.
Center Frequency	MHz	77.67	77.75	77.83
Insertion Loss	dB	-	23.84	-
1dB Bandwidth	MHz	2.20	2.28	-
3dB Bandwidth	MHz	-	2.49	-
40dB Bandwidth	MHz	-	3.22	3.35
Passband Ripple	dB	-	0.35	1.00
Group Delay Variation	nsec	-	100	200
Absolute Delay	usec	-	2.95	-
Ultimate Attenuation	dB	50	53	-
Substrate Material	-	Quartz		
Temperature Coefficient	ppm/°C	-0.03		

## Package Dimension



## Matching Configuration



L1=180nH, L2=100nH, L3=56nH C1=56pF  
 Source / Load Impedance = 50Ω  
 Ambient Temperature = 25°C

Rev.0 080905

