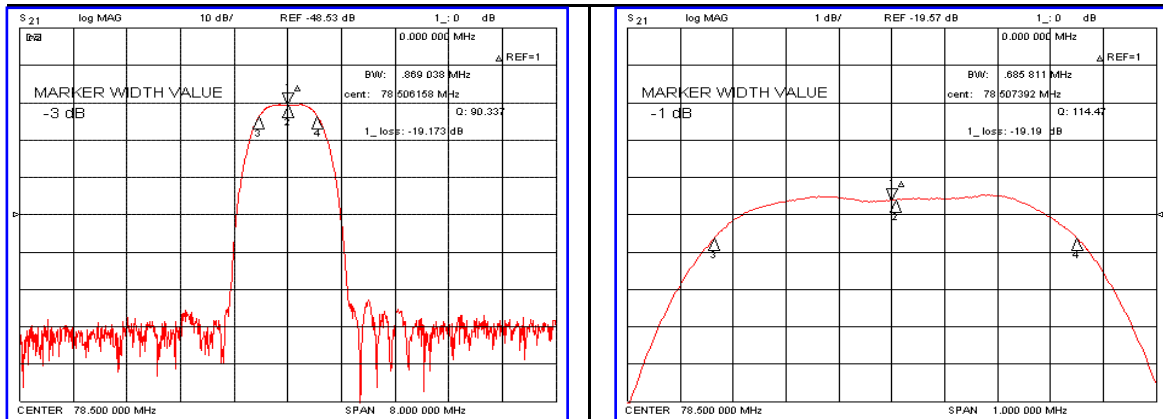


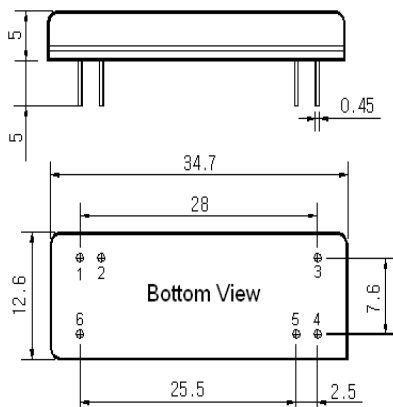
## Typical Performance



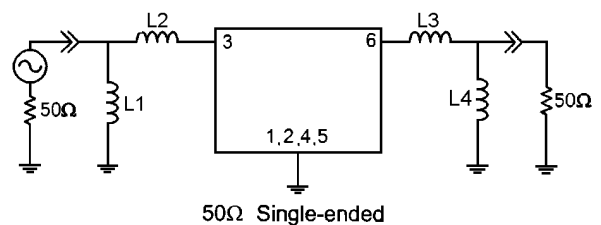
## Specification

Parameter	Unit	Min.	Typ.	Max.
Center Frequency (Fc)	MHz	78.42	78.50	78.58
Insertion Loss	dB	-	19.50	22.00
1dB Bandwidth	MHz	-	0.68	-
3dB Bandwidth	MHz	0.80	0.86	-
20dB Bandwidth	MHz	-	1.41	-
40dB Bandwidth	MHz	-	1.66	1.80
Passband Ripple	dB	-	0.50	1.00
Group Delay Variation	nsec	-	170	250
Absolute Delay	μsec	-	3.02	-
Ultimate Attenuation	dB	50	53	-
Substrate Material	-	<b>Quartz</b>		
Temperature Coefficient	ppm/°C	-0.03		

## Package Dimension



## Matching Configuration



L1= 150nH, L2=47nH, L3=47nH, L4=150nH  
 Source / Load Impedance = 50Ω  
 Ambient Temperature = 25°C

Rev0. 070313

