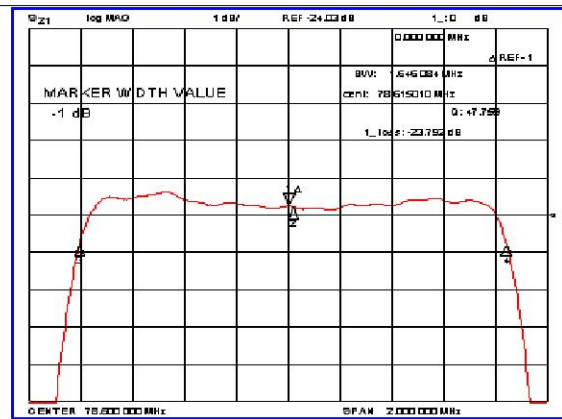
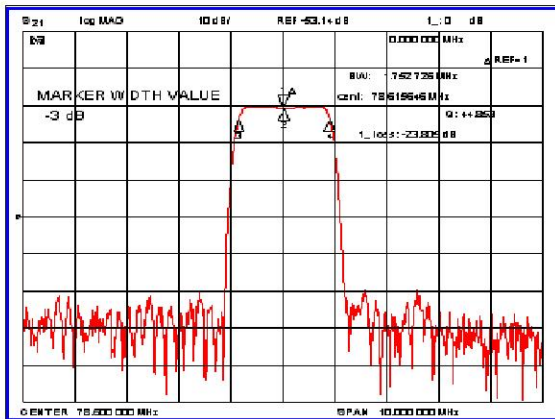


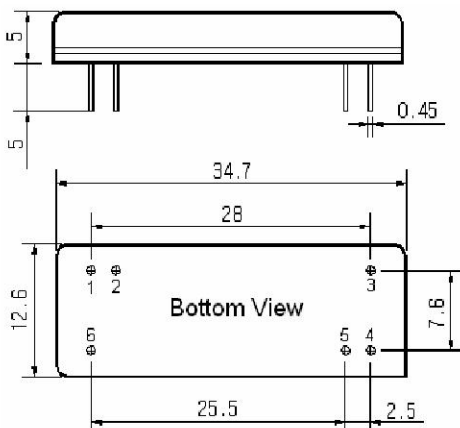
Typical Performance



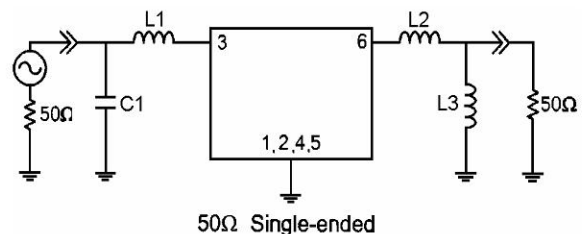
Specification

Parameter	Unit	Min.	Typ.	Max.
Center Frequency	MHz	78.52	78.60	78.68
Insertion Loss	dB	-	23.80	25.00
1dB Bandwidth	MHz	1.60	1.64	-
3dB Bandwidth	MHz	-	1.75	-
20dB Bandwidth	MHz	-	2.07	2.13
40dB Bandwidth	MHz	-	2.22	-
Passband Ripple	dB	-	0.48	1.00
Group Delay Variation	nsec	-	125	200
Absolute Delay	usec	-	4.36	-
Ultimate Attenuation	dB	48	50	-
Substrate Material	-	Quartz		
Temperature Coefficient	ppm/°C	-0.03		

Package Dimension



Matching Configuration



L1=180nH, L2=56nH, L3=100nH, C1=68pF
 Source / Load Impedance = 50Ω
 Ambient Temperature = 25°C

Rev.0 080502

