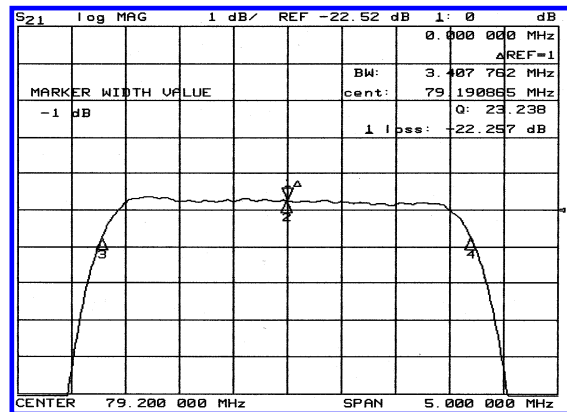
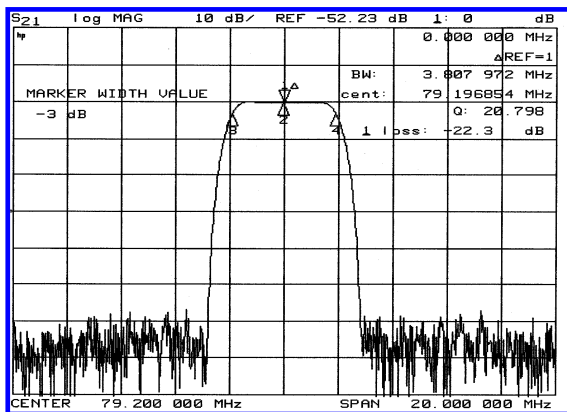


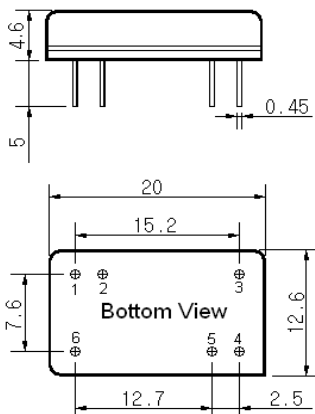
### Typical Performance



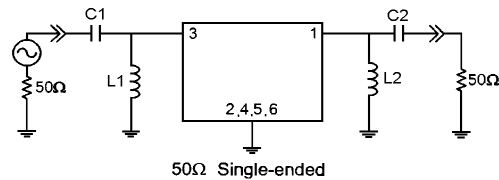
### Specification

Parameter	Unit	Min.	Typ.	Max.
Center Frequency	Mhz	79.15	79.20	79.25
Insertion Loss	dB	-	22.50	24.00
1dB Bandwidth	Mhz	3.20	3.40	-
3dB Bandwidth	Mhz	3.60	3.80	-
40dB Bandwidth	Mhz	-	5.36	5.50
50dB Bandwidth	Mhz	-	5.50	-
Passband Ripple	dB	-	0.45	0.80
Group Delay Variation	nsec	-	80	150
Absolute Delay	µsec	-	2.8	-
Ultimate Attenuation	dB	50	60	-
Substrate Material	-	LiTaO <sub>3</sub>		
Temperature Coefficient	ppm/°C	-20		

### Package Dimension



### Matching Configuration



L1=82nH, L2=82nH, C1=82pF, C2=82pF  
 Source / Load Impedance = 50Ω  
 Ambient Temperature = 25°C

12/15/2004

