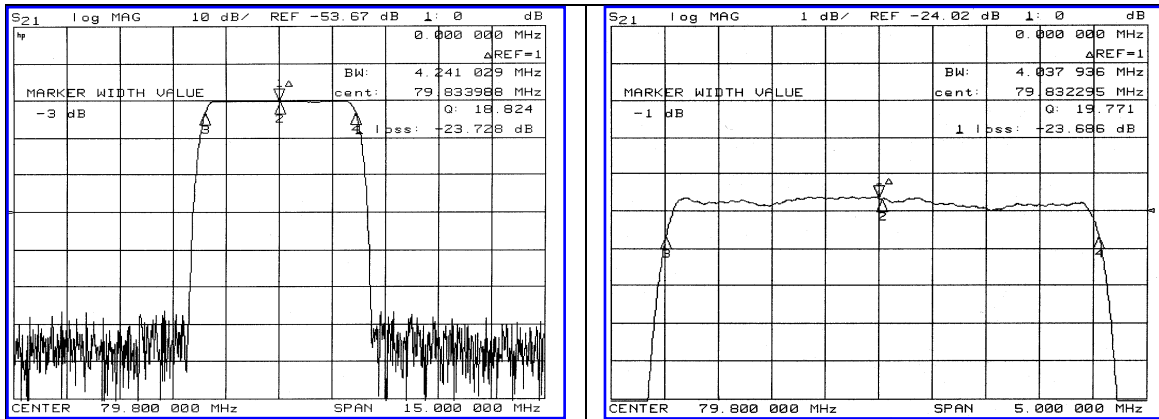


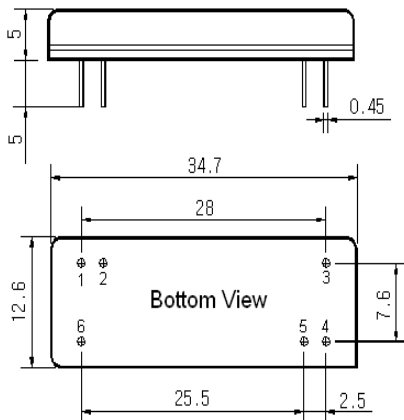
### Typical Performance



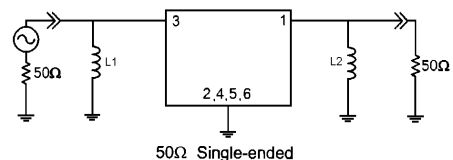
### Specification

Parameter	Unit	Min.	Typ.	Max.
Center Frequency	MHz	79.74	79.80	79.86
Insertion Loss	dB	-	24.00	25.50
1dB Bandwidth	MHz	3.90	4.03	-
3dB Bandwidth	MHz	-	4.24	-
40dB Bandwidth	MHz	-	5.02	-
53dB Bandwidth	MHz	-	5.11	5.20
Passband Ripple	dB	-	0.55	1.00
Group Delay Variation	nsec	-	80	150
Absolute Delay	μsec	-	5.01	-
Ultimate Attenuation	dB	50	55	-
Substrate Material	-	LiTaO <sub>3</sub>		
Temperature Coefficient	ppm/°C	-20		

### Package Dimension



### Matching Configuration



L1=120nH , L2=120nH  
 Source / Load Impedance = 50Ω  
 Ambient Temperature = 25°C

12/06/2005

