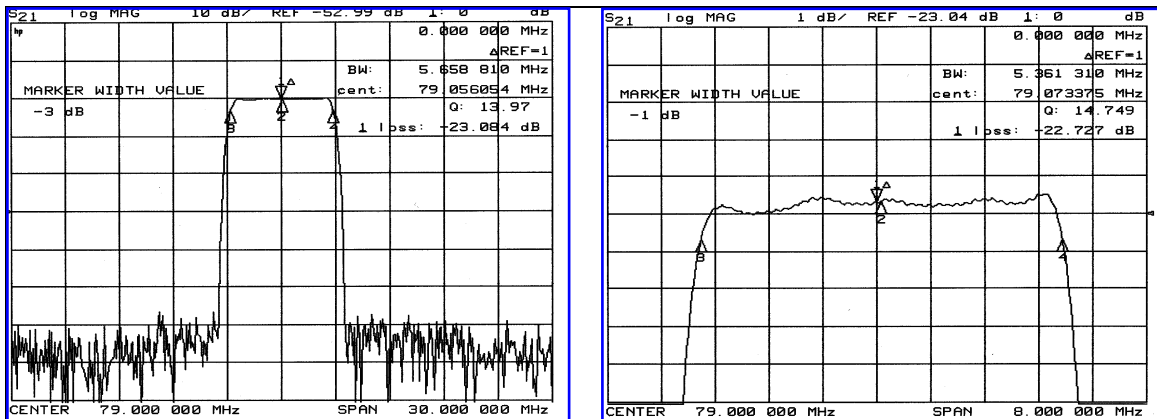


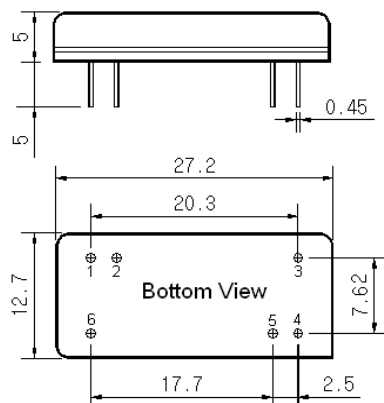
Typical Performance



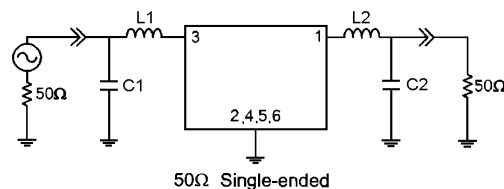
Specification

Parameter	Unit	Min.	Typ.	Max.
Center Frequency	Mhz	78.92	79.00	79.08
Insertion Loss	dB	-	23.00	24.50
1dB Bandwidth	Mhz	-	5.36	-
3dB Bandwidth	Mhz	5.50	5.65	-
40dB Bandwidth	Mhz	-	6.80	7.00
50dB Bandwidth	Mhz	-	6.91	-
Passband Ripple	dB	-	0.65	1.00
Group Delay Variation	nsec	-	50	100
Absolute Delay	µsec	-	3.7	-
Ultimate Attenuation	dB	50	55	-
Substrate Material	-	LiTaO3		
Temperature Coefficient	ppm/°C	-20		

Package Dimension



Matching Configuration



L1=L2=150nH, C1=C2=47pF
 Source / Load Impedance = 50Ω
 Ambient Temperature = 25°C

03/19/2005

