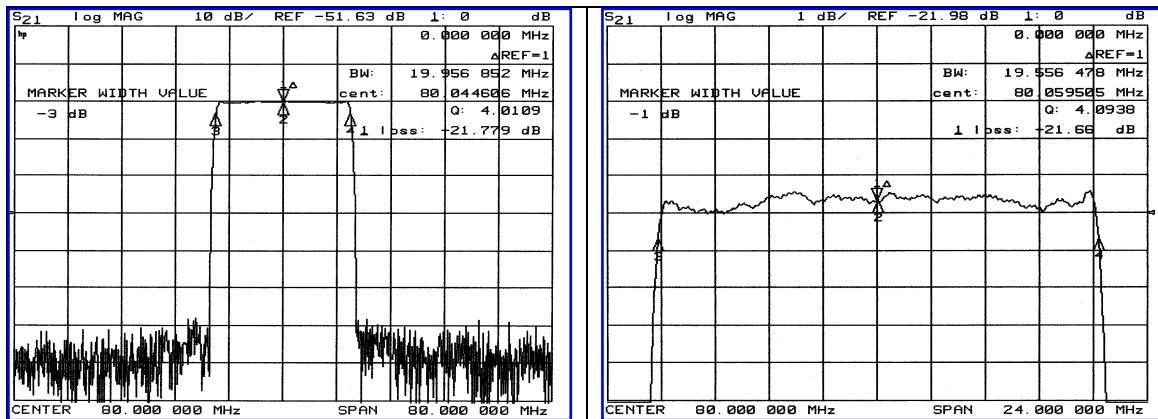


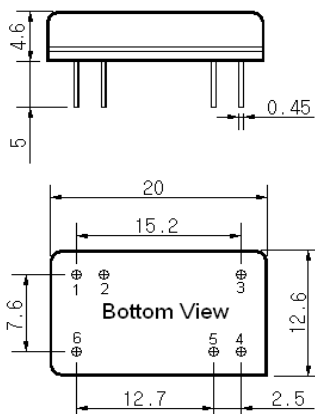
Typical Performance



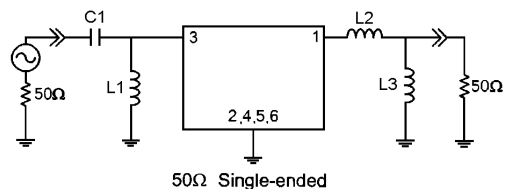
Specification

Parameter	Unit	Min.	Typ.	Max.
Center Frequency	MHz	79.92	80.00	80.08
Insertion Loss	dB	-	22.00	24.00
1dB Bandwidth	MHz	19.40	19.55	-
3dB Bandwidth	MHz	19.80	19.95	-
40dB Bandwidth	MHz	-	21.58	21.80
50dB Bandwidth	MHz	-	21.73	-
Passband Ripple	dB	-	0.55	1.00
Group Delay Variation	nsec	-	50	100
Absolute Delay	μsec	-	2.0	-
Ultimate Attenuation	dB	50	60	-
Substrate Material	-	128-LiNbO ₃		
Temperature Coefficient	ppm/°C	-72		

Package Dimension



Matching Configuration



L1=82nH, L2=100nH, L3=220nH, C1=56pF
 Source / Load Impedance = 50Ω
 Ambient Temperature = 25°C

04/12/2005

