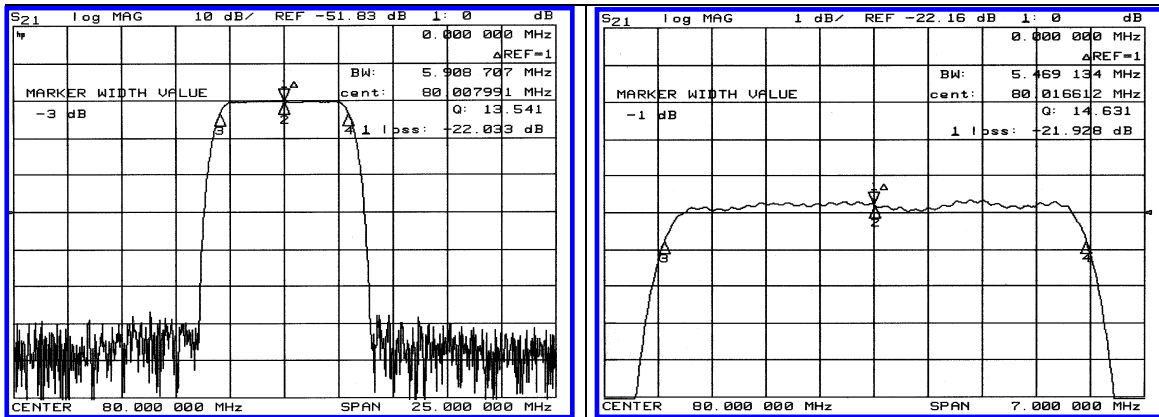


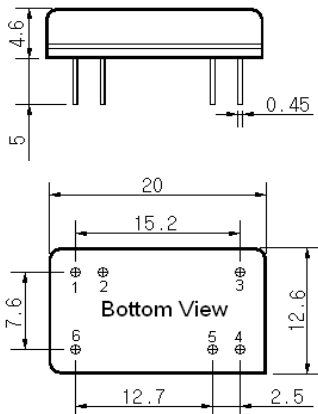
Typical Performance



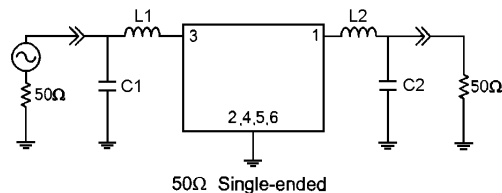
Specification

Parameter	Unit	Min.	Typ.	Max.
Center Frequency	Mhz	79.92	80.00	80.08
Insertion Loss	dB	-	22.00	23.50
1dB Bandwidth	Mhz	5.30	5.47	-
3dB Bandwidth	Mhz	5.80	5.90	-
40dB Bandwidth	Mhz	-	7.60	7.80
50dB Bandwidth	Mhz	-	7.77	-
Passband Ripple	dB	-	0.55	1.00
Group Delay Variation	nsec	-	50	100
Absolute Delay	µsec	-	2.7	-
Ultimate Attenuation	dB	50	60	-
Substrate Material	-	LiTaO ₃		
Temperature Coefficient	ppm/°C	-20		

Package Dimension



Matching Configuration



L1 = L2 = 0.15µH, C1 = C2 = 43pF
 Source / Load Impedance = 50Ω
 Ambient Temperature = 25°C

02/04/2005

