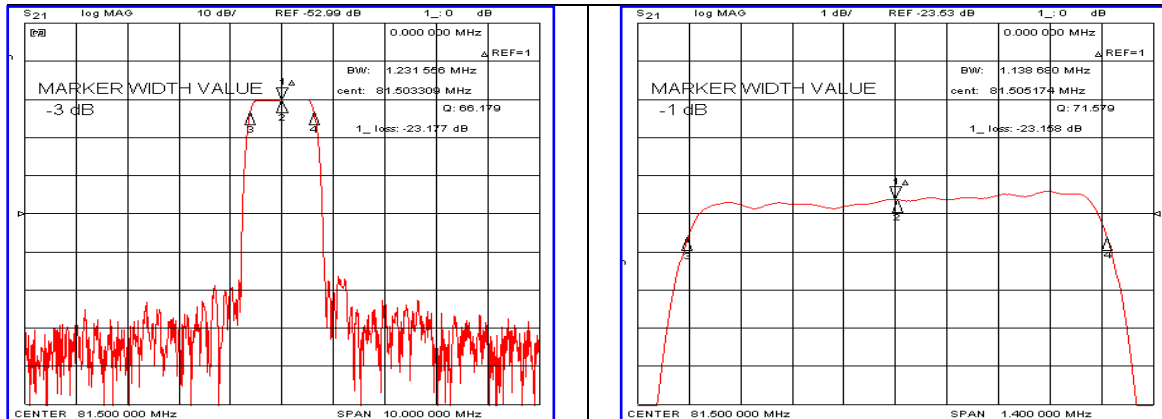


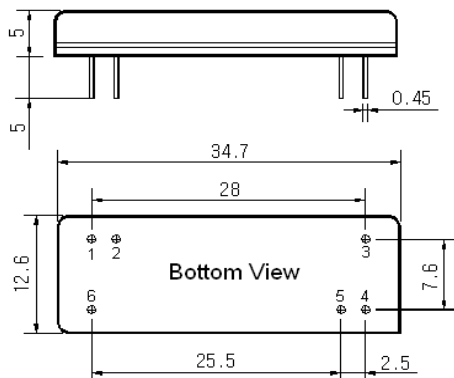
Typical Performance



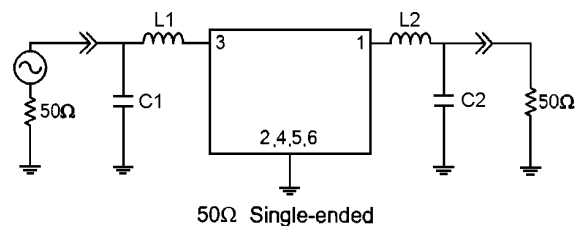
Specification

Parameter	Unit	Min.	Typ.	Max.
Center Frequency	MHz	-	81.50	-
Insertion Loss	dB	-	23.50	25.50
1dB Bandwidth	MHz	1.00	1.13	-
3dB Bandwidth	MHz	-	1.23	-
45dB Bandwidth	MHz	-	1.61	1.70
Passband Ripple(Fc±0.5MHz)	dB	-	0.65	1.20
Relative Attenuation				
1dB Band Edge±0.2MHz	dB	10	20	-
1dB Band Edge±0.3MHz		35	45	-
1dB Band Edge±0.4MHz		40	50	-
1dB Band Edge±0.5MHz		40	50	-
Group Delay Variation	nsec	-	200	350
Absolute Delay	usec	-	4.78	-
Ultimate Attenuation	dB	42	47	-
Substrate Material	-	Quartz		
Temperature Coefficient	ppm/°C	-0.03		

Package Dimension



Matching Configuration



L1=100nH, L2=82nH, C1=68pF, C2=91pF
 Source / Load Impedance = 50Ω
 Ambient Temperature = 25°C

Rev.0 100918

