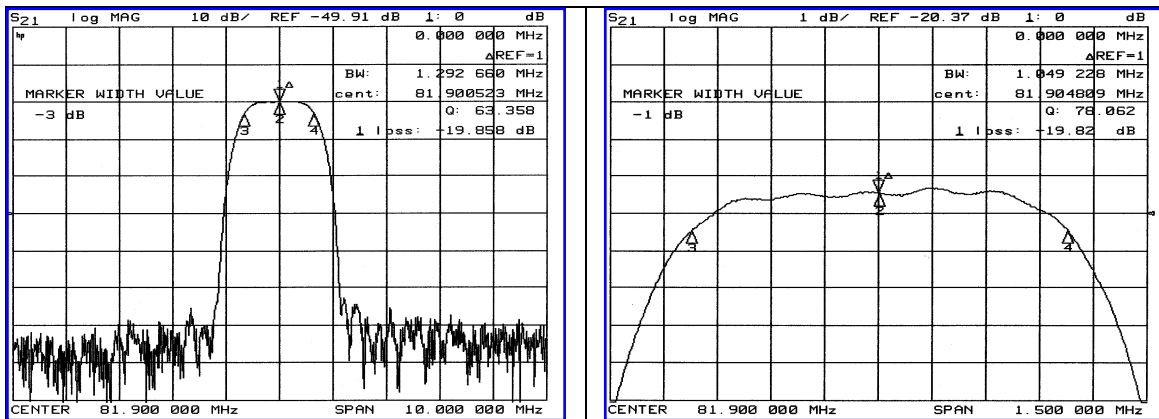


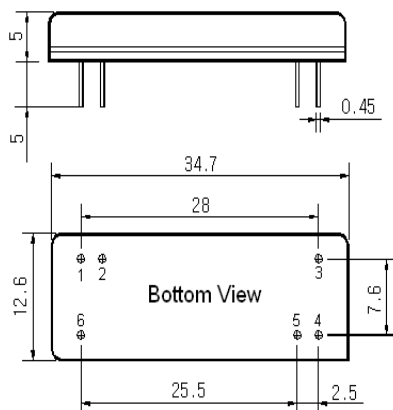
### Typical Performance



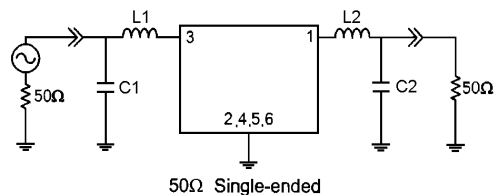
### Specification

Parameter	Unit	Min.	Typ.	Max.
Center Frequency	MHz	81.84	81.90	81.96
Insertion Loss	dB	-	20.00	22.00
1dB Bandwidth	MHz	-	1.04	-
3dB Bandwidth	MHz	1.20	1.29	-
30dB Bandwidth	MHz	-	2.07	2.20
45dB Bandwidth	MHz	-	2.22	-
Passband Ripple	dB	-	0.45	1.00
Group Delay Variation	nsec	-	200	300
Absolute Delay	μsec	-	2.80	-
Ultimate Attenuation	dB	50	55	-
Substrate Material	-	Quartz		
Temperature Coefficient	ppm/°C <sup>2</sup>	-0.03		

### Package Dimension



### Matching Configuration



L1=220nH, L2=180nH, C1=18pF, L2=91pF  
 Source / Load Impedance = 50Ω  
 Ambient Temperature = 25°C

07/27/2005

