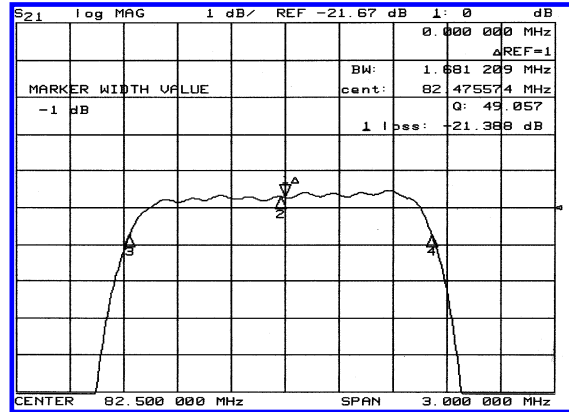
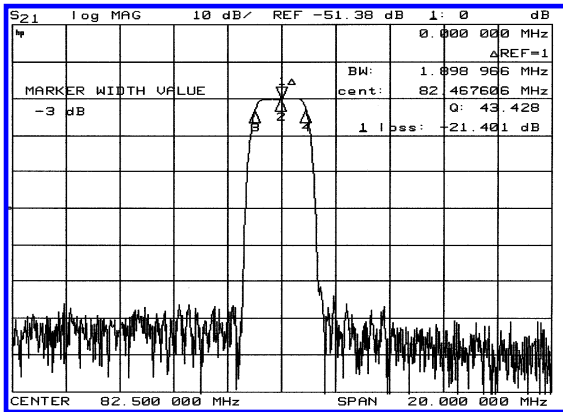


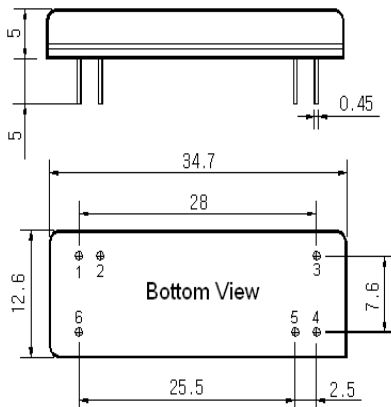
Typical Performance



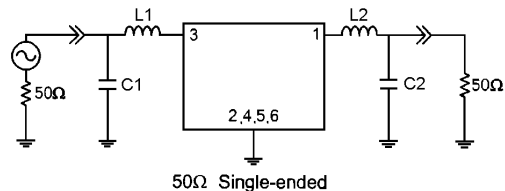
Specification

Parameter	Unit	Min.	Typ.	Max.
Center Frequency	Mhz	82.44	82.50	82.56
Insertion Loss	dB	-	21.50	23.00
1dB Bandwidth	Mhz	1.60	1.68	-
3dB Bandwidth	Mhz	1.80	1.89	-
40dB Bandwidth	Mhz	-	2.69	2.80
50dB Bandwidth	Mhz	-	2.78	-
Passband Ripple	dB	-	0.55	0.80
Group Delay Variation	nsec	-	100	200
Absolute Delay	µsec	-	3.2	-
Ultimate Attenuation	dB	50	55	-
Substrate Material	-	Quartz		
Temperature Coefficient	ppm/°C ²	-0.03		

Package Dimension



Matching Configuration



L1=0.22µH, L2=190nH, C1=47pF, C2=62pF
 Source / Load Impedance = 50Ω
 Ambient Temperature = 25°C

01/24/2005

