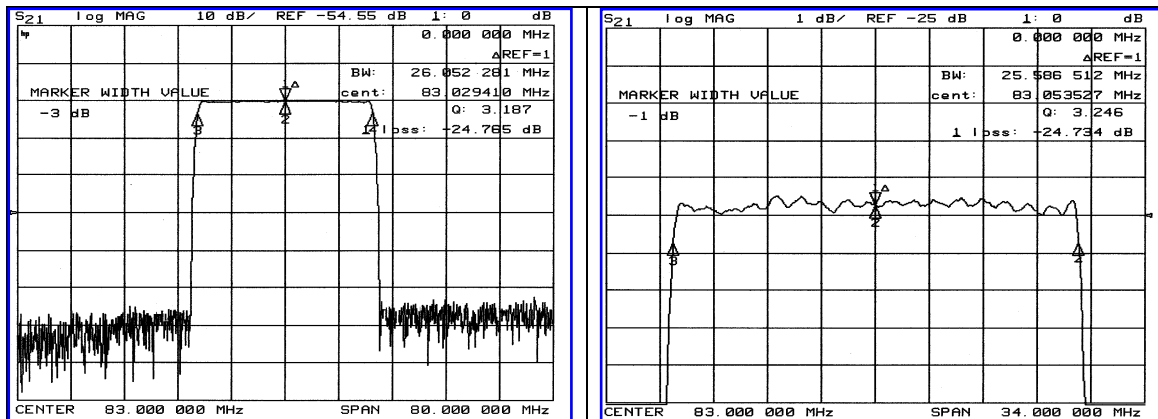


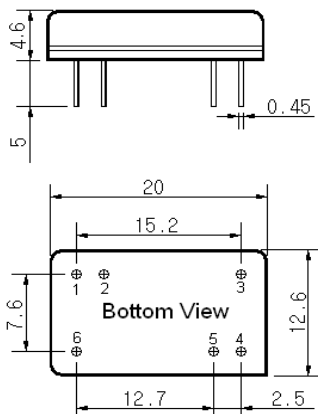
Typical Performance



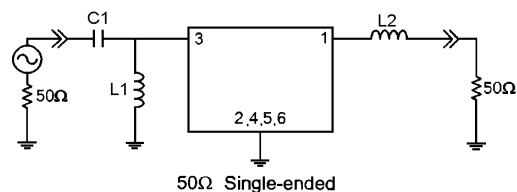
Specification

Parameter	Unit	Min.	Typ.	Max.
Center Frequency	Mhz	82.92	83.00	83.08
Insertion Loss	dB	-	24.50	26.00
1dB Bandwidth	Mhz	-	25.58	-
3dB Bandwidth	Mhz	25.90	26.05	-
40dB Bandwidth	Mhz	-	27.92	28.20
50dB Bandwidth	Mhz	-	28.10	-
Passband Ripple	dB	-	0.55	1.00
Group Delay Variation	nsec	-	50	100
Absolute Delay	μsec	-	1.7	-
Ultimate Attenuation	dB	50	55	-
Substrate Material	-	128-LiNbO ₃		
Temperature Coefficient	ppm/°C	-72		

Package Dimension



Matching Configuration



L1=100nH, L2=0.12μH, C1=43pF
 Source / Load Impedance = 50Ω
 Ambient Temperature = 25°C

02/23/2005

