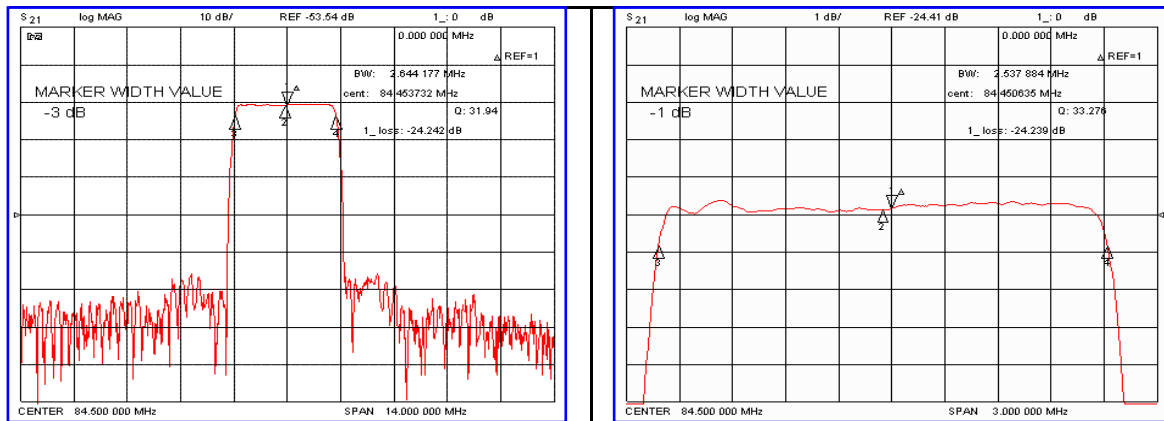


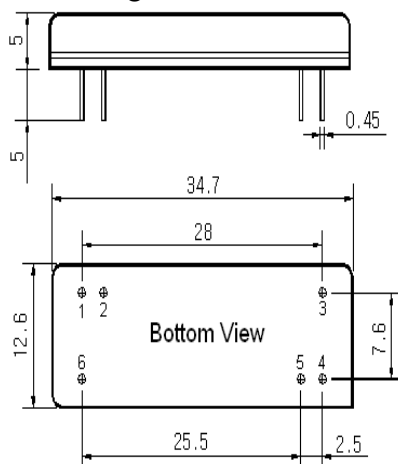
Typical Performance



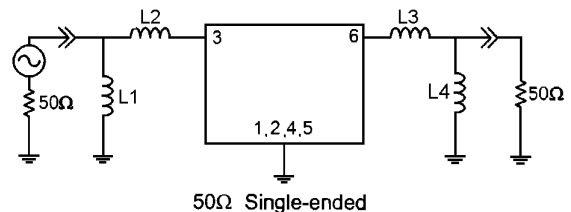
Specification

Parameter	Unit	Min.	Typ.	Max.
Center Frequency	MHz	84.42	84.50	84.58
Insertion Loss	dB	-	24.50	26.00
1dB Bandwidth	MHz	-	2.53	-
3dB Bandwidth	MHz	2.60	2.64	-
40dB Bandwidth	MHz	-	3.05	3.15
Passband Ripple	dB	-	0.55	1.00
Group Delay Variation	nsec	-	200	250
Absolute Delay	μsec	-	4.62	-
Ultimate Attenuation	dB	40	45	-
Substrate Material	-	Quartz		
Temperature Coefficient	ppm/°C	-0.03		

Package Dimension



Matching Configuration



L1=68nH, L2=68nH, L3=56nH, L4=56nH
 Source / Load Impedance = 50Ω
 Ambient Temperature = 25°C

Rev0. 070418

