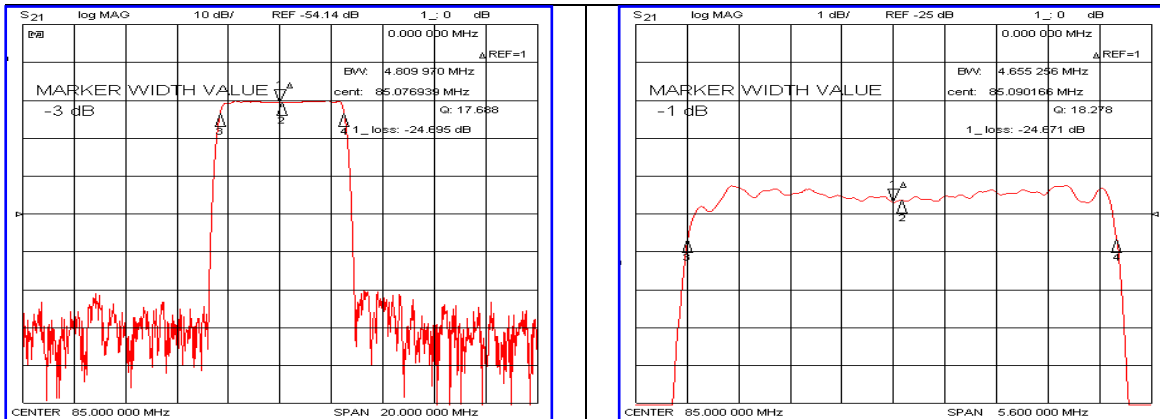


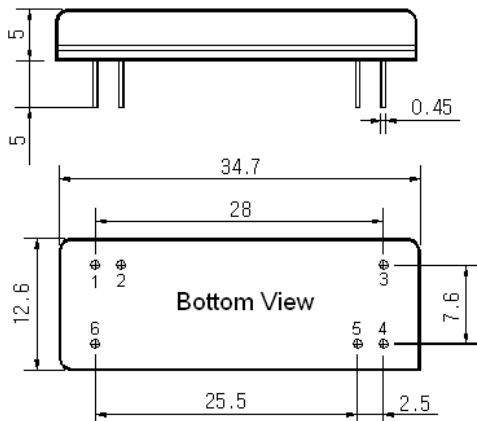
Typical Performance



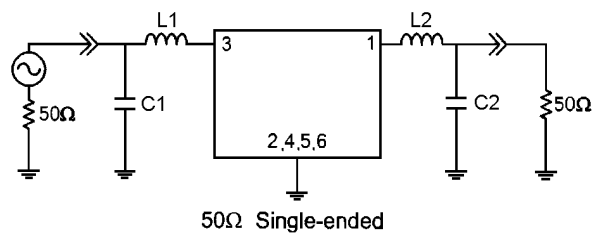
Specification

Parameter	Unit	Min.	Typ.	Max.
Center Frequency	MHz	84.90	85.00	85.10
Insertion Loss	dB	-	24.70	26.50
1dB Bandwidth	MHz	-	4.65	-
3dB Bandwidth	MHz	4.70	4.80	-
40dB Bandwidth	MHz	-	5.55	-
Relative Attenuation $\Delta F_{c} \pm 6.0\text{MHz} \pm 400\text{KHz}$	dB	-	40	-
Passband Ripple	dB	-	0.70	1.20
Absolute Delay	usec	-	3.01	-
Ultimate Attenuation	dB	45	50	-
Substrate Material	-	112-LiTaO ₃		
Temperature Coefficient	ppm/°C	-20		

Package Dimension



Matching Configuration



L1=47nH, L2=47nH, C1=62pF, C2=56pF
 Source / Load Impedance = 50Ω
 Ambient Temperature = 25°C

Rev.0 100625

