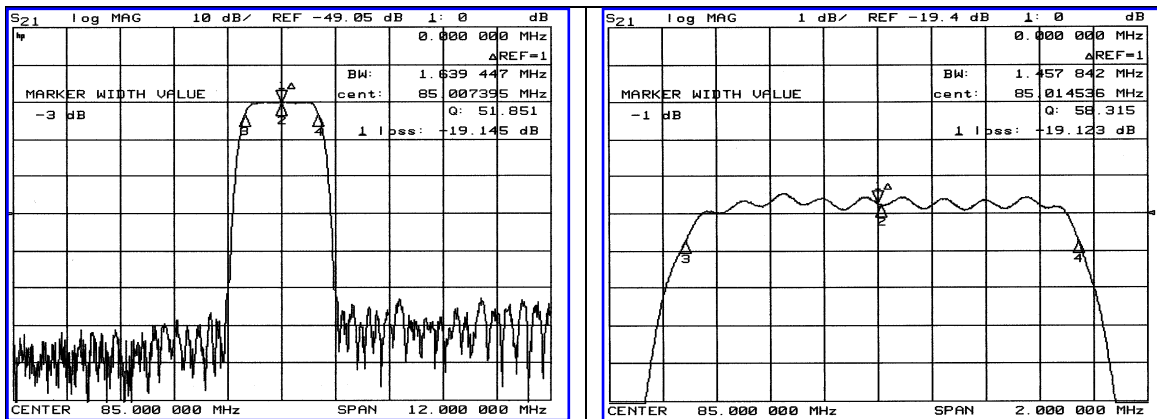


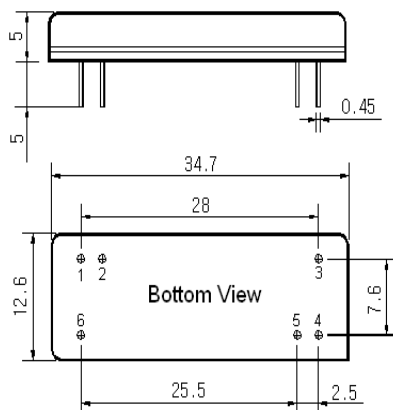
Typical Performance



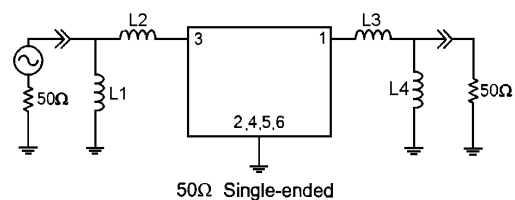
Specification

| Parameter | Unit | Min. | Typ. | Max. |
|-------------------------|---------------------|--------|-------|-------|
| Center Frequency | MHz | 84.92 | 85.00 | 85.08 |
| Insertion Loss | dB | - | 19.50 | 22.00 |
| 1dB Bandwidth | MHz | - | 1.45 | - |
| 3dB Bandwidth | MHz | 1.55 | 1.63 | - |
| 37dB Bandwidth | MHz | - | 2.24 | 2.40 |
| 50dB Bandwidth | MHz | - | 2.36 | - |
| Passband Ripple | dB | - | 0.65 | 1.00 |
| Group Delay Variation | nsec | - | 200 | 300 |
| Absolute Delay | μsec | - | 3.3 | - |
| Ultimate Attenuation | dB | 50 | 55 | - |
| Substrate Material | - | Quartz | | |
| Temperature Coefficient | ppm/°C ² | -0.03 | | |

Package Dimension



Matching Configuration



L1=82nH, L2=100nH, L3=82nH, L4=27nH
 Source / Load Impedance = 50Ω
 Ambient Temperature = 25°C

04/18/2005

