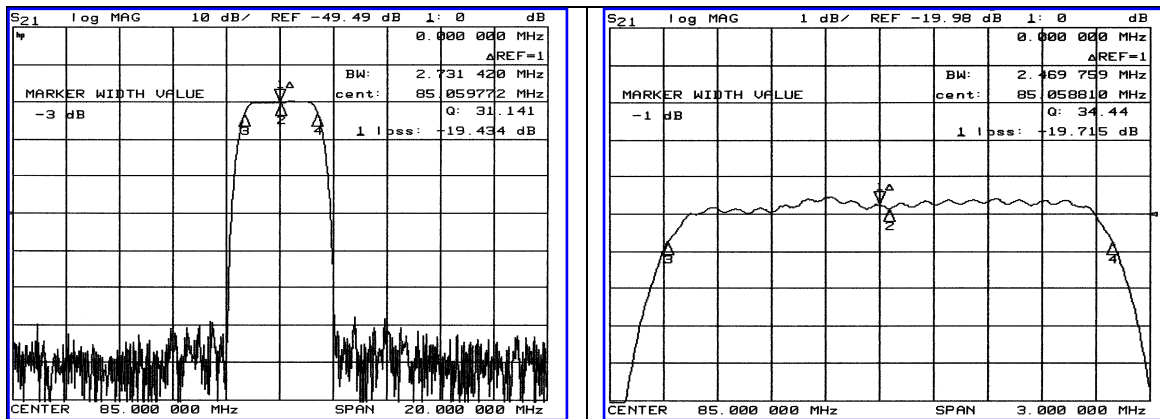


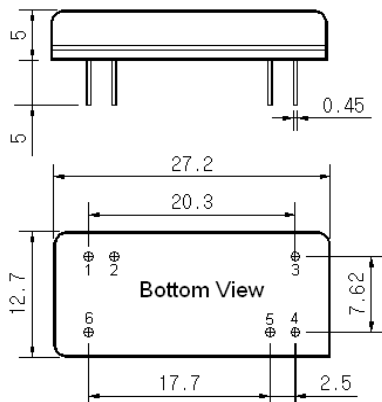
Typical Performance



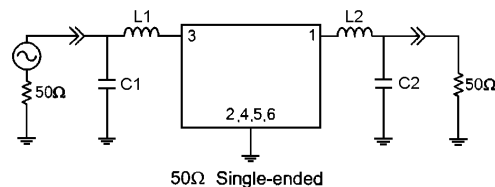
Specification

Parameter	Unit	Min.	Typ.	Max.
Center Frequency	MHz	84.92	85.00	85.08
Insertion Loss	dB	-	20.00	22.00
1dB Bandwidth	Mhz	-	2.46	-
3dB Bandwidth	MHz	2.60	2.73	-
40dB Bandwidth	MHz	-	3.83	4.00
50dB Bandwidth	MHz	-	3.92	-
Passband Ripple	dB	-	0.45	1.00
Group Delay Variation	nsec	-	150	250
Absolute Delay	μsec	-	3.8	-
Ultimate Attenuation	dB	50	60	-
Substrate Material	-	LiTaO ₃		
Temperature Coefficient	ppm/°C	-20		

Package Dimension



Matching Configuration



L1=L2=82nH, C1=C2=39pF
 Source / Load Impedance = 50Ω
 Ambient Temperature = 25°C

05/09/2005

