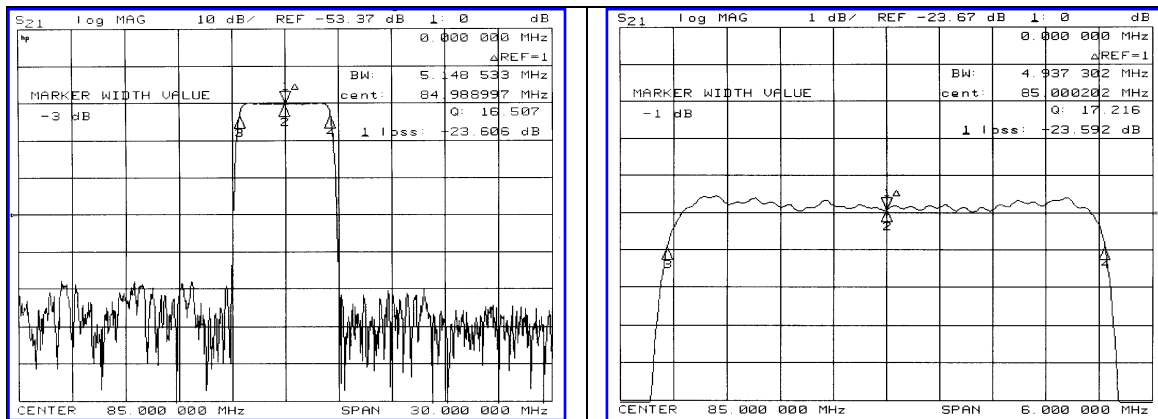


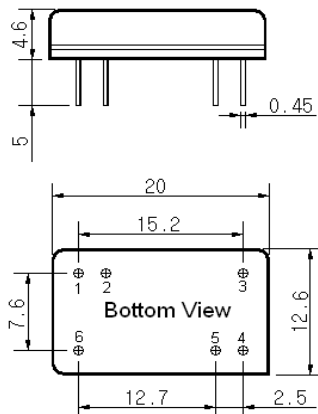
Typical Performance



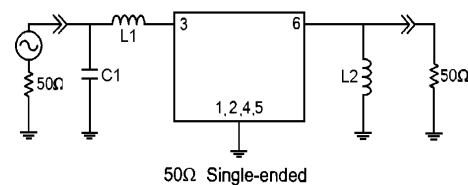
Specification

Parameter	Unit	Min.	Typ.	Max.
Center Frequency	MHz	84.90	85.00	85.10
Insertion Loss	dB	-	23.50	25.00
1dB Bandwidth	MHz	-	4.93	-
3dB Bandwidth	MHz	5.00	5.14	-
40dB Bandwidth	MHz	-	5.97	6.20
Passband Ripple	dB	-	0.55	1.00
Group Delay Variation	nsec	-	100	200
Absolute Delay	µsec	-	2.52	-
Ultimate Attenuation	dB	45	50	-
Substrate Material	-	LiTaO ₃		
Temperature Coefficient	ppm/°C	-20		

Package Dimension



Matching Configuration



L1=68nH, L2=56nH, C1=56pF,
 Source / Load Impedance = 50Ω
 Ambient Temperature = 25°C

06/07/2006

