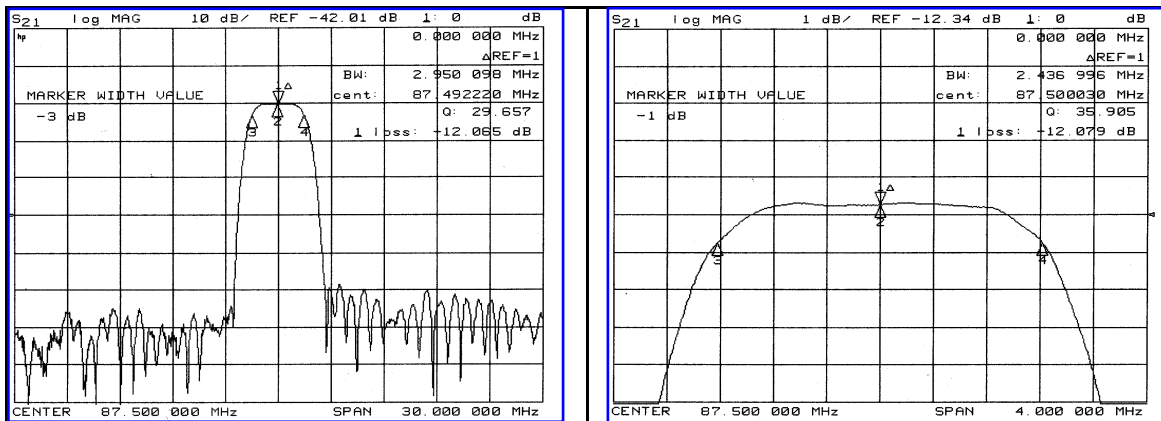


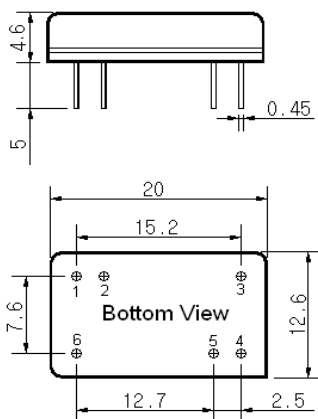
Typical Performance



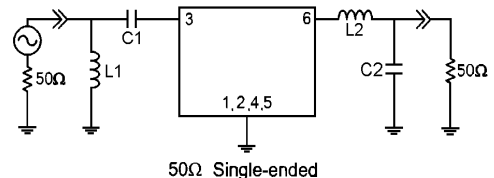
Specification

Parameter	Unit	Min.	Typ.	Max.
Center Frequency	MHz	87.40	87.50	87.60
Insertion Loss	dB	-	12.00	15.00
1dB Bandwidth	MHz	-	2.43	-
3dB Bandwidth	MHz	2.50	2.95	-
40dB Bandwidth	MHz	-	4.90	6.00
Passband Ripple ($F_o \pm 0.7\text{MHz}$)	dB	-	0.45	1.00
Group Delay Variation ($F_o \pm 0.7\text{MHz}$)	nsec	-	30	100
Absolute Delay	μsec	-	1.32	-
Ultimate Attenuation	dB	40	50	-
Substrate Material	-	112-LiTaO ₃		
Temperature Coefficient	ppm/ $^{\circ}\text{C}$	-20		

Package Dimension



Matching Configuration



L1=47nH, L2=33nH, C1=150pF, C2=120pF
 Source / Load Impedance = 50Ω
 Ambient Temperature = 25°C

01/23/2006

