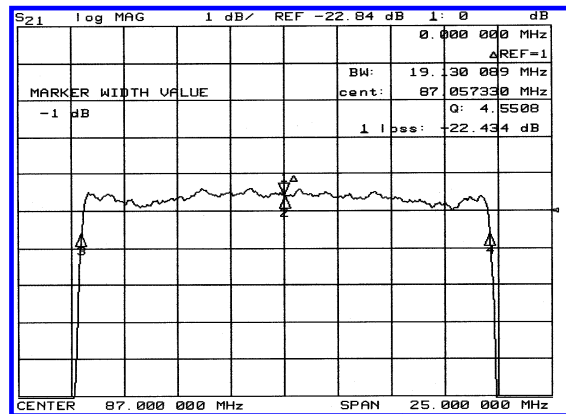
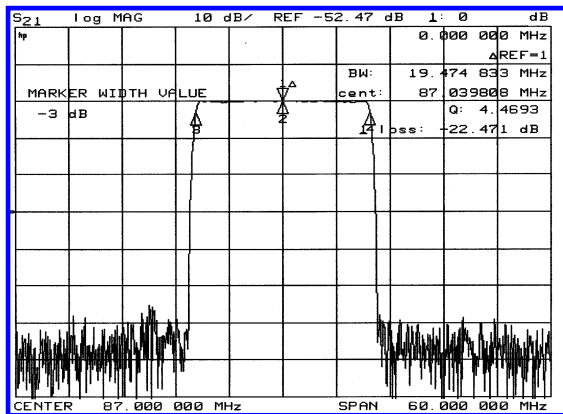


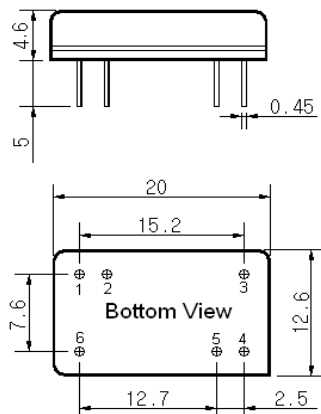
Typical Performance



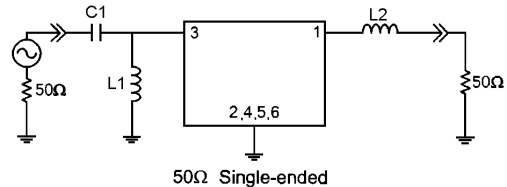
Specification

Parameter	Unit	Min.	Typ.	Max.
Center Frequency	Mhz	86.92	87.00	87.08
Insertion Loss	dB	-	23.00	24.50
1dB Bandwidth	Mhz	19.00	19.13	-
3dB Bandwidth	Mhz	19.35	19.47	-
40dB Bandwidth	Mhz	-	20.92	21.30
50dB Bandwidth	Mhz	-	21.05	-
Passband Ripple	dB	-	0.65	1.00
Group Delay Variation	nsec	-	50	100
Absolute Delay	µsec	-	2.2	-
Ultimate Attenuation	dB	50	55	-
Substrate Material	-	128-LiNbO ₃		
Temperature Coefficient	ppm/°C	-72		

Package Dimension



Matching Configuration



L1=61nH, L2=0.12µH, C1=62pF
 Source / Load Impedance = 50Ω
 Ambient Temperature = 25°C

01/14/2005

