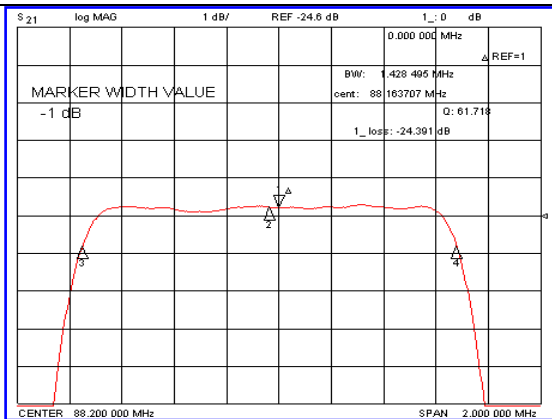
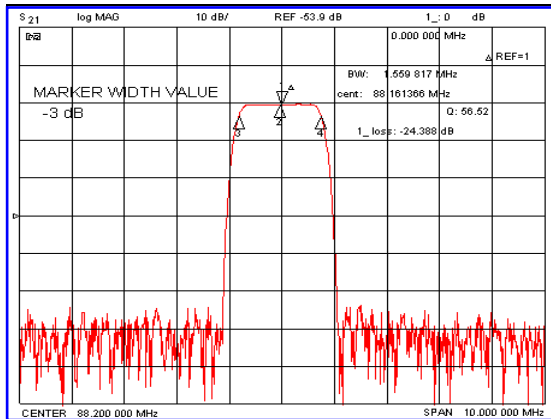


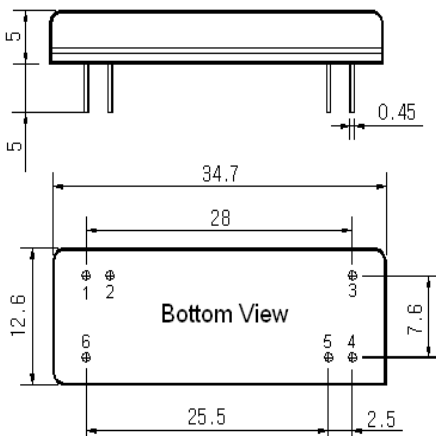
Typical Performance



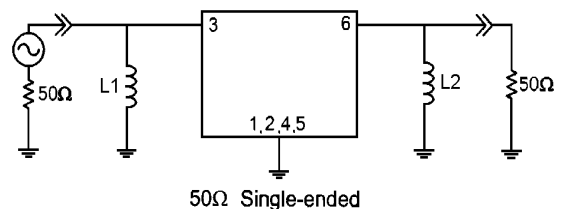
Specification

Parameter	Unit	Min.	Typ.	Max.
Center Frequency	MHz	88.12	88.20	88.28
Insertion Loss	dB	-	24.38	26.00
1dB Bandwidth	MHz	-	1.42	-
3dB Bandwidth	MHz	1.50	1.55	-
20dB Bandwidth	MHz	-	1.92	2.00
50dB Bandwidth	MHz	-	2.15	-
Passband Ripple	dB	-	0.30	1.00
Group Delay Variation	nsec	-	100	200
Absolute Delay	μsec	-	4.04	-
Ultimate Attenuation	dB	48	52	-
Substrate Material	-	Quartz		
Temperature Coefficient	ppm/°C	-0.03		

Package Dimension



Matching Configuration



L1=100nH, L2=100nH
 Source / Load Impedance = 50Ω
 Ambient Temperature = 25°C

Rev0. 071130

