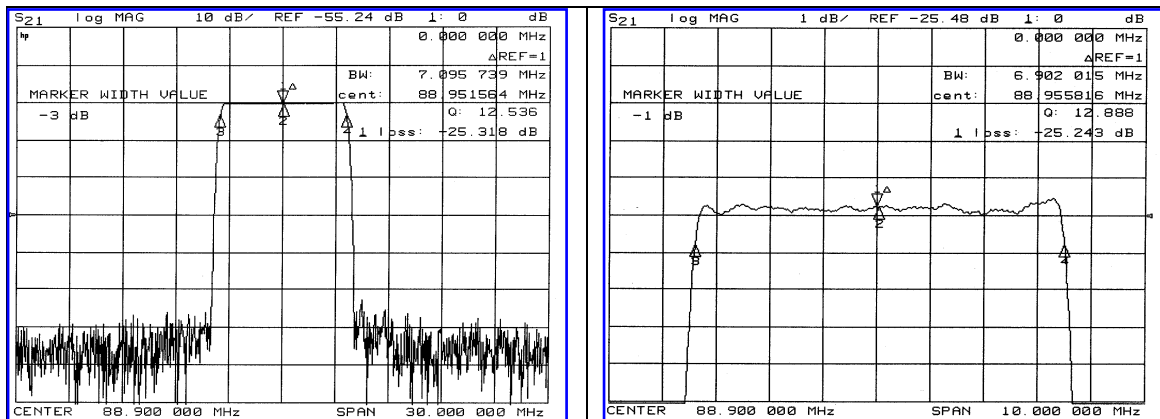


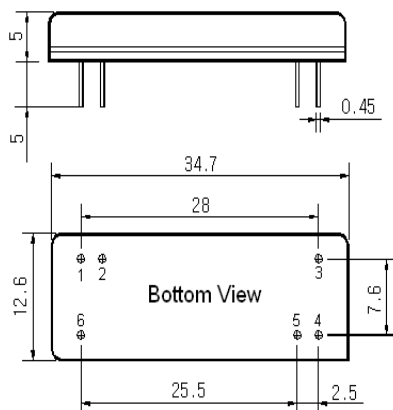
## Typical Performance



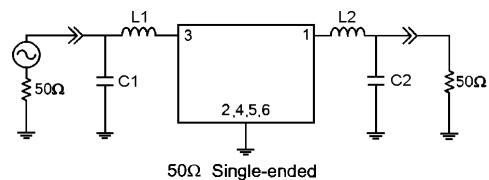
## Specification

Parameter	Unit	Min.	Typ.	Max.
Center Frequency	MHz	88.80	88.90	89.00
Insertion Loss	dB	-	25.50	27.00
1dB Bandwidth	MHz	-	6.90	-
3dB Bandwidth	MHz	-	7.09	-
30dB Bandwidth	MHz	-	7.79	-
45dB Bandwidth	MHz	-	7.94	-
Passband Ripple	dB	-	0.55	1.00
Group Delay Variation	nsec	-	50	100
Absolute Delay	μsec	-	3.29	-
Ultimate Attenuation	dB	50	55	-
Substrate Material	-	LiTaO <sub>3</sub>		
Temperature Coefficient	ppm/°C	-20		

## Package Dimension



## Matching Configuration



L1=L2=100nH, C1=62pF, C2=56pF  
 Source / Load Impedance = 50Ω  
 Ambient Temperature = 25°C

11/21/2005

