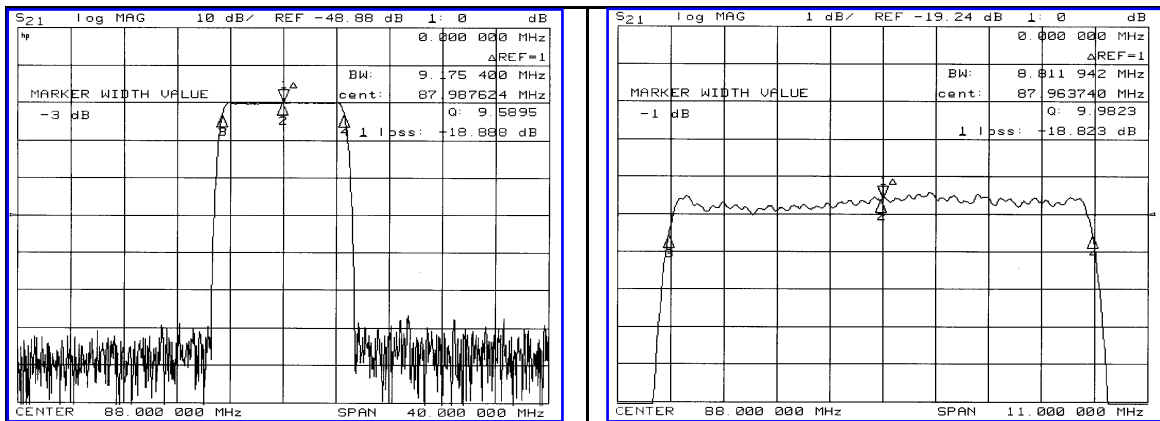


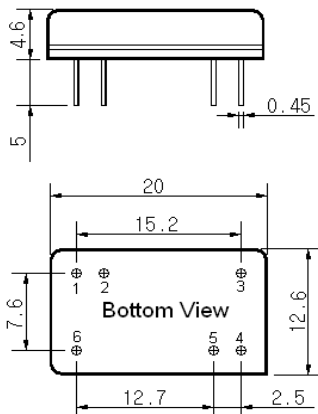
Typical Performance



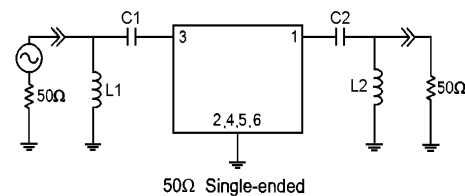
Specification

Parameter	Unit	Min.	Typ.	Max.
Center Frequency (Fc)	MHz	-	88.00	-
Insertion Loss	dB	-	19.00	20.50
1dB Bandwidth	MHz	-	8.81	-
3dB Bandwidth	MHz	9.00	9.17	-
40dB Bandwidth	MHz	-	10.60	10.80
Passband Ripple (Fc±4.22MHz)	dB	-	0.63	1.00
Group Delay Variation (Fc±4.22MHz)	nsec	-	80	130
Absolute Delay	µsec	-	2.08	-
Ultimate Attenuation	dB	50	55	-
Substrate Material	-	128-LiNbO ₃		
Temperature Coefficient	ppm/°C	-72		

Package Dimension



Matching Configuration



L1=L2=100nH, C1=150pF, C2=100pF
 Source / Load Impedance = 50Ω
 Ambient Temperature = 25°C

05/17/2006

