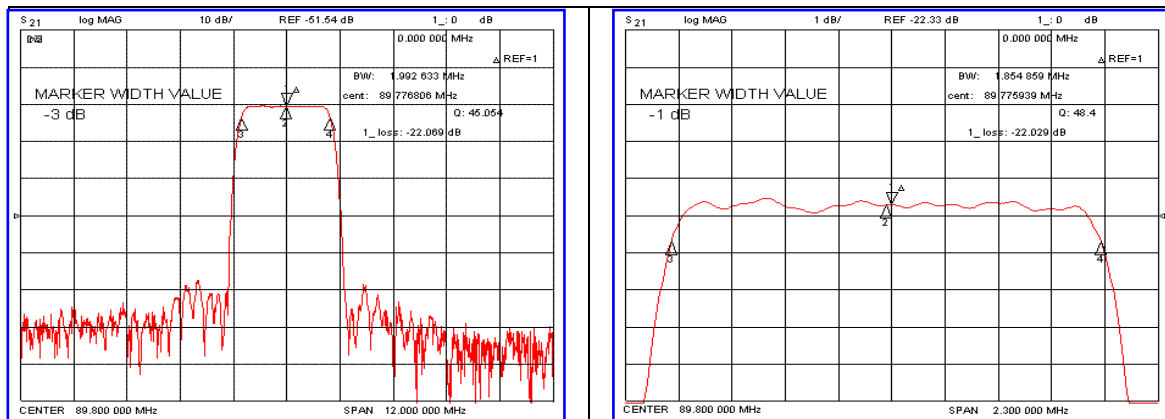


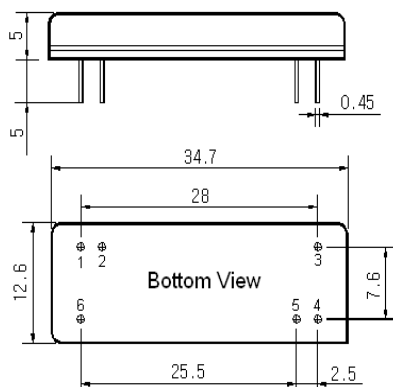
Typical Performance



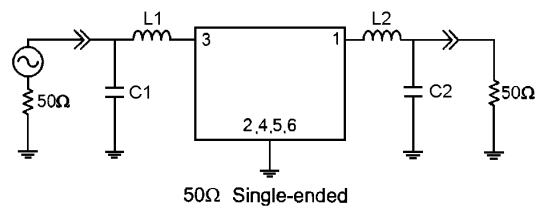
Specification

Parameter	Unit	Min.	Typ.	Max.
Center Frequency	MHz	89.72	89.80	89.88
Insertion Loss	dB	-	22.50	25.00
1dB Bandwidth	MHz	-	1.85	-
3dB Bandwidth	MHz	1.70	1.99	-
Passband Ripple	dB	-	0.55	1.00
Absolute Delay	µsec	-	3.76	-
Out of Band Gain				
1dB @± 400KHz	dB	25	40	-
1dB @± 600KHz	dB	35	50	-
1dB @± 1.0MHz	dB	40	50	-
1dB @± 5.0MHz	dB	50	55	-
Substrate Material	-	Quartz		
Temperature Coefficient	ppm/°C ²	-0.03		

Package Dimension



Matching Configuration



L1=150nH, L2=150nH, C1=62pF, C2=62pF
 Source / Load Impedance = 50Ω
 Ambient Temperature = 25°C

Rev0.070216

