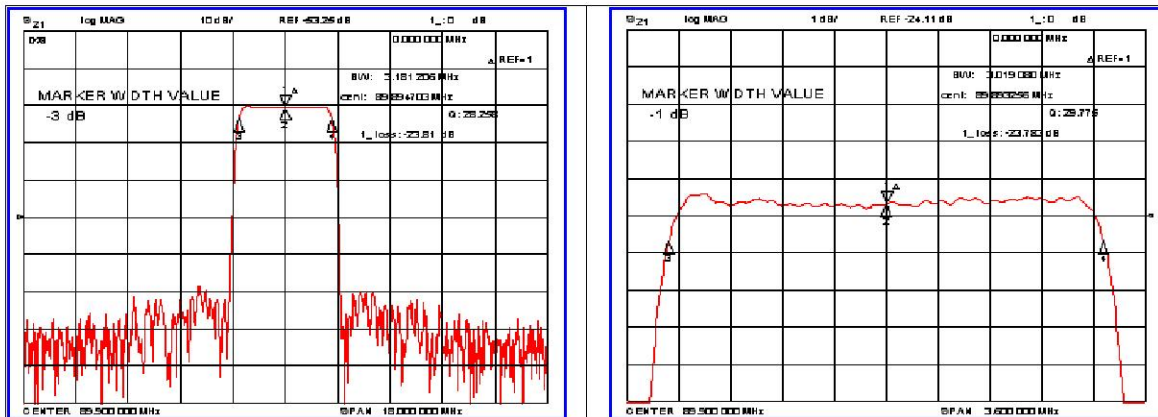


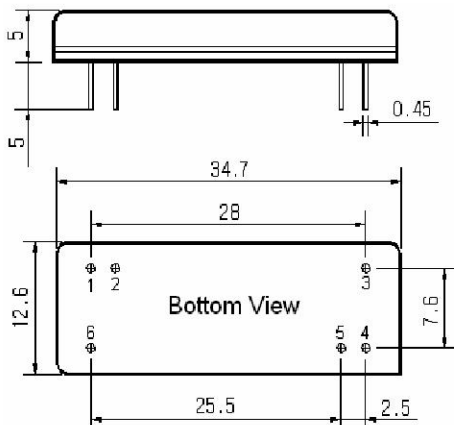
Typical Performance



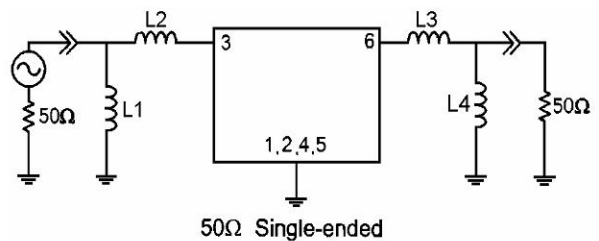
Specification

Parameter	Unit	Min.	Typ.	Max.
Center Frequency	MHz	89.82	89.90	89.98
Insertion Loss	dB	-	23.81	25.50
1dB Bandwidth	MHz	2.95	3.02	-
3dB Bandwidth	MHz	-	3.18	-
20dB Bandwidth	MHz	-	3.56	3.62
40dB Bandwidth	MHz	-	3.74	-
Passband Ripple	dB	-	0.40	1.00
Group Delay Variation	nsec	-	125	200
Absolute Delay	usec	-	4.25	-
Ultimate Attenuation	dB	46	48	-
Substrate Material	-	Quartz		
Temperature Coefficient	ppm/°C	-0.03		

Package Dimension



Matching Configuration



L1=33nH, L2=L3=68nH, L4=27nH
 Source / Load Impedance = 50Ω
 Ambient Temperature = 25°C

Rev.0 080502

