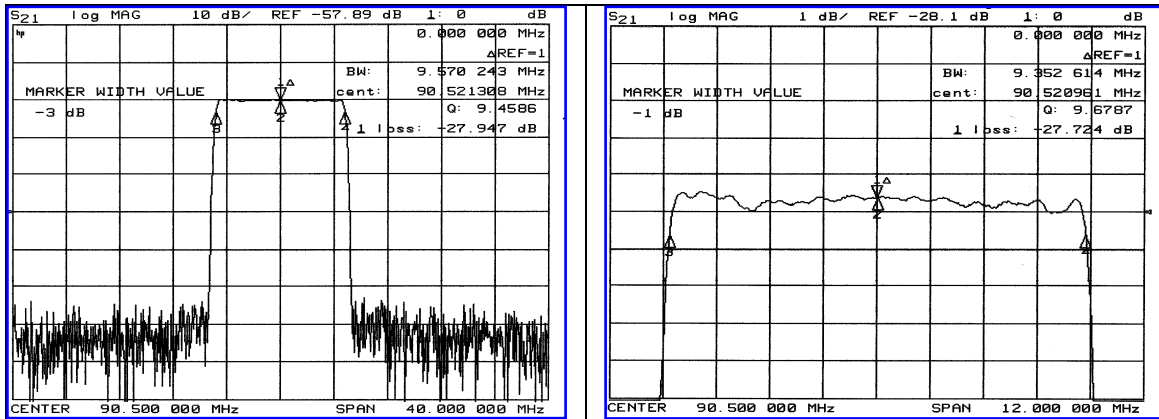


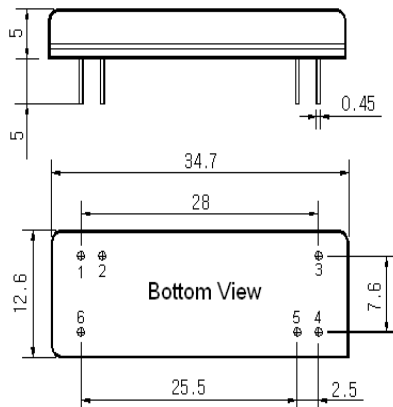
Typical Performance



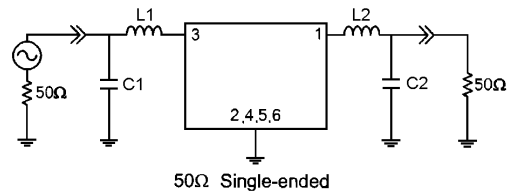
Specification

Parameter	Unit	Min.	Typ.	Max.
Center Frequency	MHz	90.40	90.50	90.60
Insertion Loss	dB	-	28.00	30.00
1dB Bandwidth	MHz	-	9.35	-
3dB Bandwidth	MHz	9.45	9.57	-
40dB Bandwidth	MHz	-	10.45	10.55
Passband Ripple	dB	-	0.55	1.00
Group Delay Variation	nsec	-	50	100
Absolute Delay	µsec	-	4.4	-
Ultimate Attenuation	dB	50	55	-
Operating Temperature Range	°C	-20	+25	+70
Substrate Material	-	LiTaO ₃		
Temperature Coefficient	ppm/°C	-20		

Package Dimension



Matching Configuration



L1=100nH, L2=120nH, C1=56pF, C2=68pF
 Source / Load Impedance = 50Ω
 Ambient Temperature = 25°C

07/15/2005

