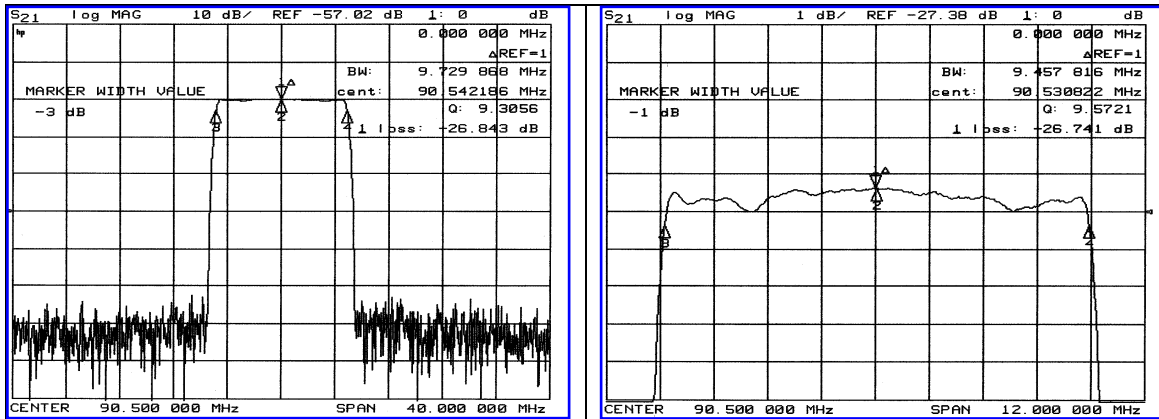


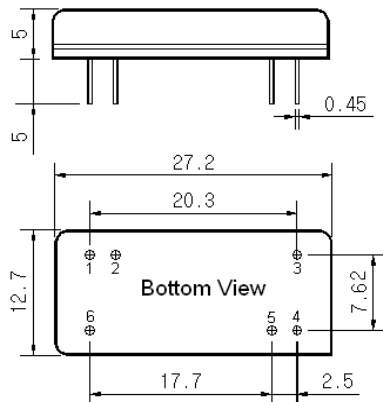
Typical Performance



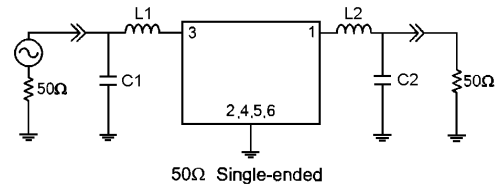
Specification

Parameter	Unit	Min.	Typ.	Max.
Center Frequency	MHz	90.40	90.50	90.60
Insertion Loss	dB	-	26.50	28.00
1dB Bandwidth	MHz	9.30	9.45	-
3dB Bandwidth	MHz	9.60	9.72	-
40dB Bandwidth	MHz	-	10.76	11.00
50dB Bandwidth	MHz	-	10.87	-
Passband Ripple	DB	-	0.75	1.00
Group Delay Variation	nsec	-	80	150
Absolute Delay	µsec	-	3.8	-
Ultimate Attenuation	dB	50	55	-
Substrate Material	-	LiTaO3		
Temperature Coefficient	ppm/°C	-20		

Package Dimension



Matching Configuration



L1=120nH, L2=120nH, C1=56pF, C2=51pF
 Source / Load Impedance = 50Ω
 Ambient Temperature = 25°C

04/12/2005

