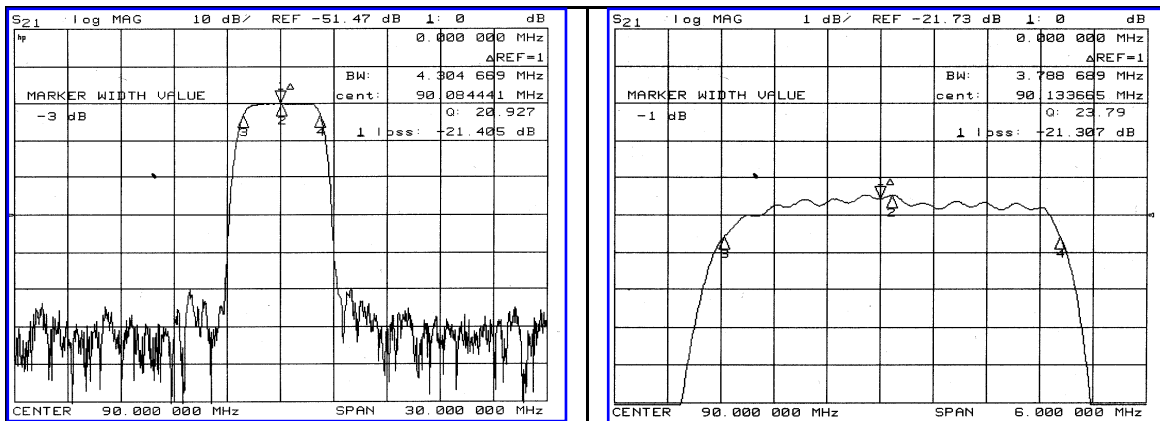


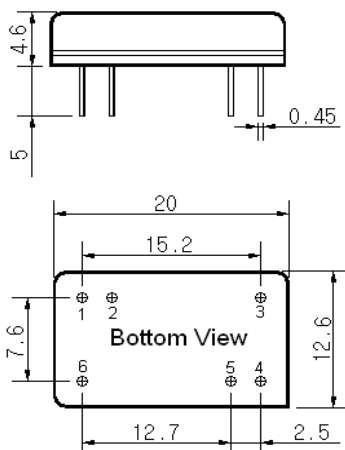
Typical Performance



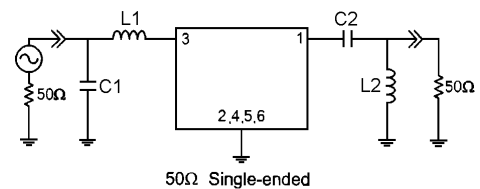
Specification

Parameter	Unit	Min.	Typ.	Max.
Center Frequency	MHz	89.90	90.00	90.10
Insertion Loss	dB	-	22.00	24.00
1dB Bandwidth	MHz	-	3.78	-
3dB Bandwidth	MHz	4.20	4.30	-
40dB Bandwidth	MHz	-	6.00	6.30
Passband Ripple	dB	-	0.55	1.00
Group Delay Variation	nsec	-	100	200
Absolute Delay	μsec	-	1.45	-
Ultimate Attenuation	dB	48	52	-
Substrate Material	-	LiTaO ₃		
Temperature Coefficient	ppm/°C	-20		

Package Dimension



Matching Configuration



L1=82nH, L2=47nH, C1=C2=82pF
 Source / Load Impedance = 50Ω
 Ambient Temperature = 25°C

01/02/2006

