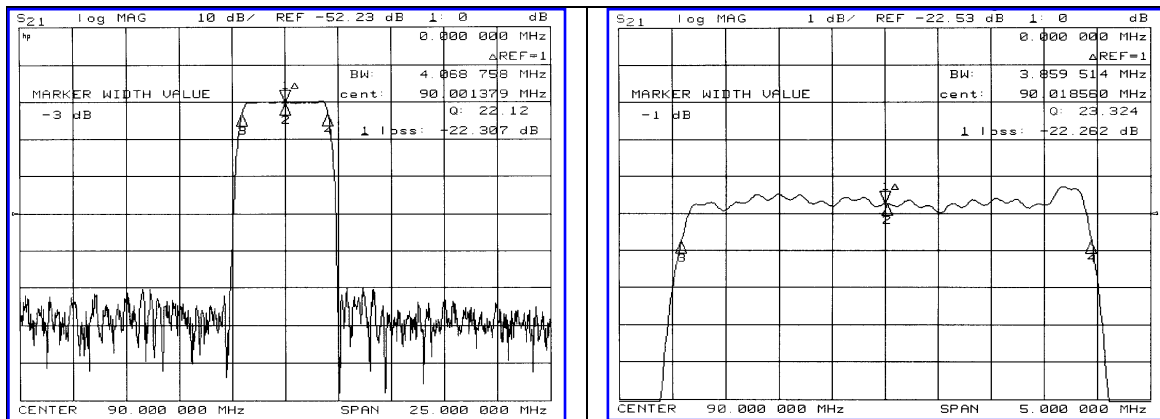


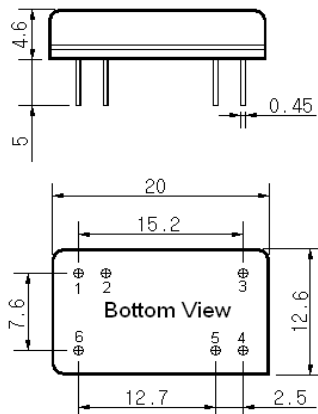
Typical Performance



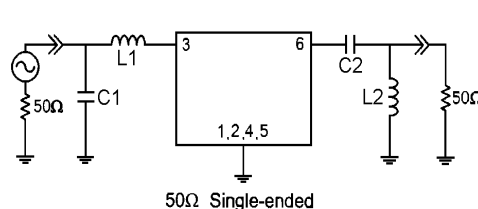
Specification

| Parameter | Unit | Min. | Typ. | Max. |
|-------------------------|--------|--------------------|-------|-------|
| Center Frequency | MHz | 89.90 | 90.00 | 90.10 |
| Insertion Loss | dB | - | 23.00 | 24.50 |
| 1dB Bandwidth | MHz | - | 3.85 | - |
| 3dB Bandwidth | MHz | 4.00 | 4.06 | - |
| 40dB Bandwidth | MHz | - | 4.96 | 5.20 |
| Passband Ripple | dB | - | 0.65 | 1.00 |
| Group Delay Variation | nsec | - | 200 | 300 |
| Absolute Delay | µsec | - | 2.50 | - |
| Ultimate Attenuation | dB | 45 | 50 | - |
| Substrate Material | - | LiTaO ₃ | | |
| Temperature Coefficient | ppm/°C | -20 | | |

Package Dimension



Matching Configuration



L1=L2=68nH, C1=62pF, C2=10pF,
 Source / Load Impedance = 50Ω
 Ambient Temperature = 25°C

06/07/2006

