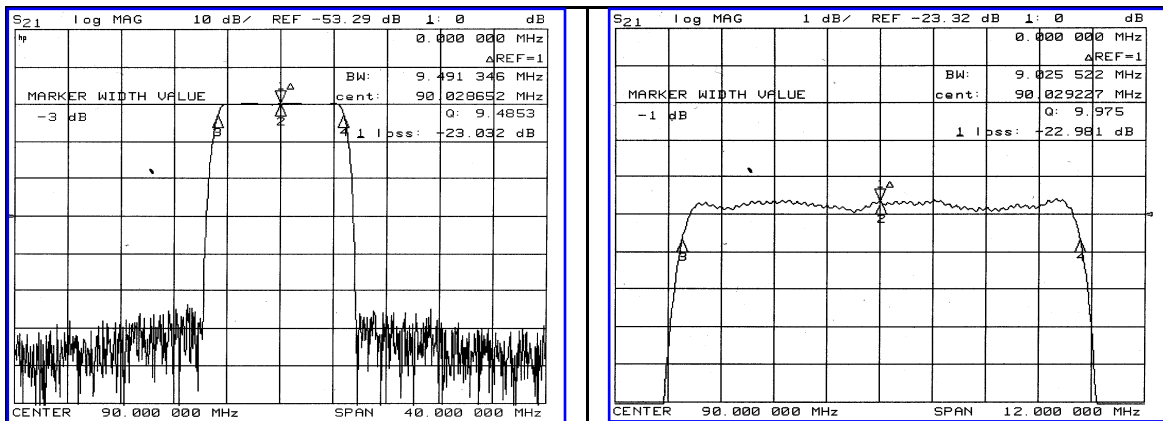


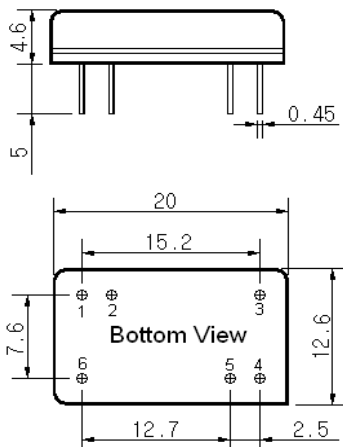
Typical Performance



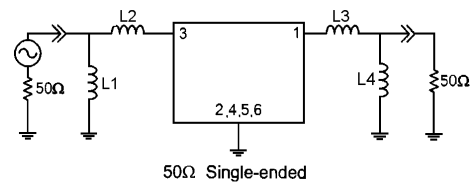
Specification

Parameter	Unit	Min.	Typ.	Max.
Center Frequency	MHz	89.90	90.00	90.10
Insertion Loss	dB	-	23.00	25.00
1dB Bandwidth	MHz	-	9.02	-
3dB Bandwidth	MHz	9.40	9.50	-
40dB Bandwidth	MHz	-	11.26	11.50
Passband Ripple	dB	-	0.55	1.00
Group Delay Variation	nsec	-	50	100
Absolute Delay	μsec	-	2.91	-
Ultimate Attenuation	dB	50	55	-
Substrate Material	-	LiTaO ₃		
Temperature Coefficient	ppm/°C	-20		

Package Dimension



Matching Configuration



L1=47nH, L2=82nH, L3=68nH, L4=56nH
Source / Load Impedance = 50Ω
Ambient Temperature = 25°C

01/02/2006

