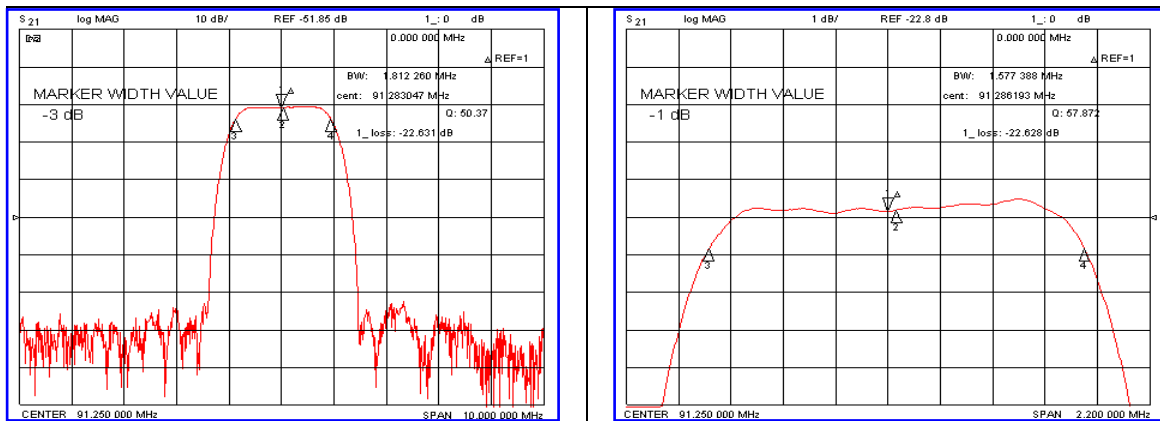


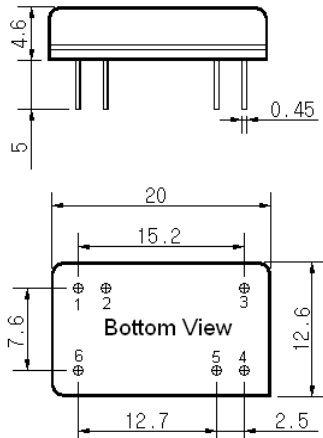
Typical Performance



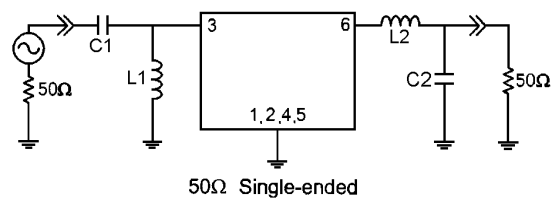
Specification

Parameter	Unit	Min.	Typ.	Max.
Center Frequency	MHz	91.17	91.25	91.33
Insertion Loss	dB	-	22.63	25.00
1dB Bandwidth	MHz	-	1.57	-
3dB Bandwidth	MHz	1.70	1.81	-
25dB Bandwidth	MHz	-	2.56	2.62
35dB Bandwidth	MHz	-	2.70	-
Passband Ripple	dB	-	0.45	1.00
Group Delay Variation	nsec	-	80	150
Absolute Delay	μsec	-	2.19	-
Ultimate Attenuation	dB	50	53	-
Substrate Material	-	Quartz		
Temperature Coefficient	ppm/°C ²	-0.03		

Package Dimension



Matching Configuration



L1=120nH, L2=180nH, C1=14pF, C2=75pF
 Source / Load Impedance = 50Ω
 Ambient Temperature = 25°C

Rev0. 070927

