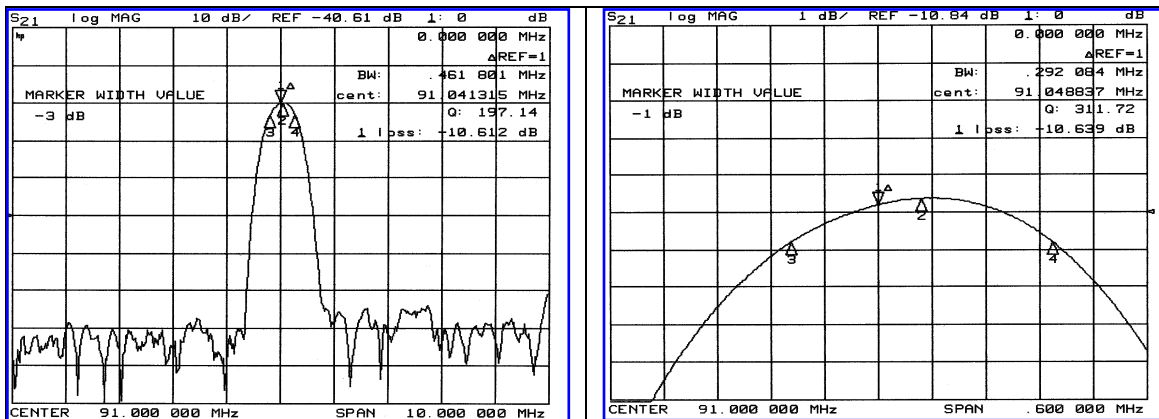


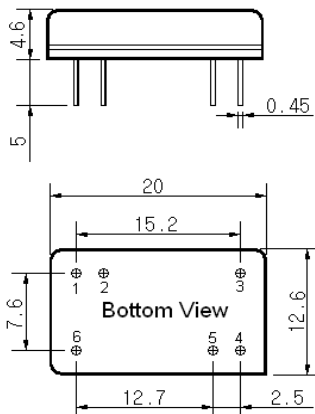
## Typical Performance



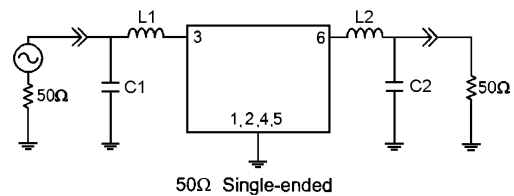
## Specification

Parameter	Unit	Min.	Typ.	Max.
Center Frequency	Mhz	89.04	91.00	91.06
Insertion Loss	dB	-	11.00	12.50
1dB Bandwidth	Mhz	-	0.29	-
3dB Bandwidth	Mhz	0.40	0.46	-
40dB Bandwidth	Mhz	-	1.26	1.50
50dB Bandwidth	Mhz	-	1.36	-
Passband Ripple	dB	-	0.55	1.00
Group Delay Variation	nsec	-	100	200
Absolute Delay	μsec	-	2.2	-
Ultimate Attenuation	dB	50	55	-
Substrate Material	-	Quartz		
Temperature Coefficient	ppm/°C <sup>2</sup>	-0.03		

## Package Dimension



## Matching Configuration



L1=138nH, L2=150nH, C1=68pF, C2=62pF  
 Source / Load Impedance = 50Ω  
 Ambient Temperature = 25°C

03/17/2005

