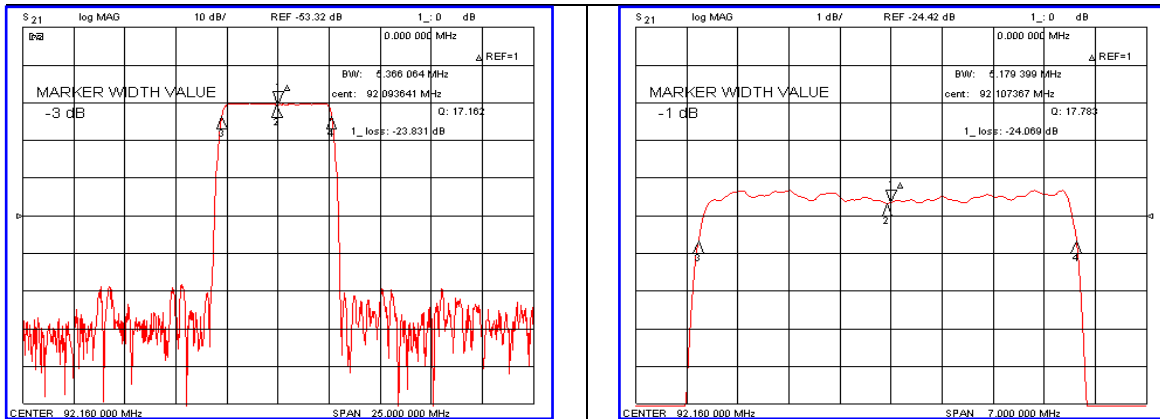


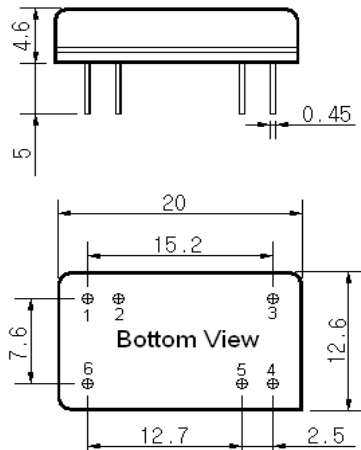
Typical Performance



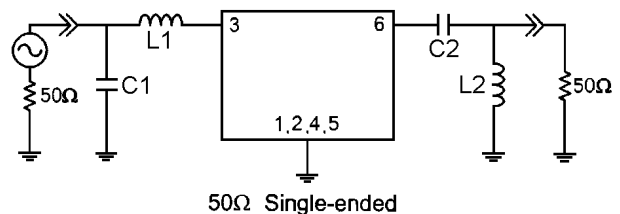
Specification

Parameter	Unit	Min.	Typ.	Max.
Center Frequency	MHz	92.08	92.16	92.24
Insertion Loss	dB	-	23.83	25.50
1dB Bandwidth	MHz	5.00	5.17	-
3dB Bandwidth	MHz	-	5.36	-
10dB Bandwidth	MHz	-	5.68	5.75
40dB Bandwidth	MHz	-	6.18	6.30
Passband Ripple	dB	-	0.45	1.00
Group Delay Variation	nsec	-	100	200
Absolute Delay	μsec	-	2.39	-
Ultimate Attenuation	dB	45	48	-
Substrate Material	-	112- LiTaO ₃		
Temperature Coefficient	ppm/°C	-20		

Package Dimension



Matching Configuration



L1=33nH, L2=33nH, C1=68pF, C2=150pF
 Source / Load Impedance = 50Ω
 Ambient Temperature = 25°C

Rev0. 090729

